



### Features

- Durable Extruded Aluminium Construction
- Attractive, Low Profile Design
- Standard Single Gang Mount
- Easy Test & Reset Capability
- Converts to Double Action
- Glass Rod Optional

### Description

Attractive and durable, Mircom's MS-403U & MS-404U Emergency Manual Stations provide manual emergency reporting. The MS-403U and MS-404U Emergency Manual Stations are non-coded, single action devices which initiate both a N.O. and N.C. contact when pulled. Operating instructions shall be in English lettering and the unit shall be constructed of extruded aluminium and finished in bright enamel paint to provide quick identification.

Mircom's model MS-403U Manual Station is finished in enamel Blue and the MS-404U Manual Station is finished in enamel Yellow. An abrasion resistant label with large, raised letters provides clear legible instructions. On custom orders, manual stations can be easily converted from single action to double action station by the addition of the MS-DA double action lever kit.

### Operation

Pulling on the station's handle will release the internal switches to control or release any peripheral device. Both manual stations contain one Normally Closed switch and one Normally Open switch when in the closed position.

All manual stations shall be installed as per the specific requirements outlined in the UL codes, as well as all other applicable national and local codes.

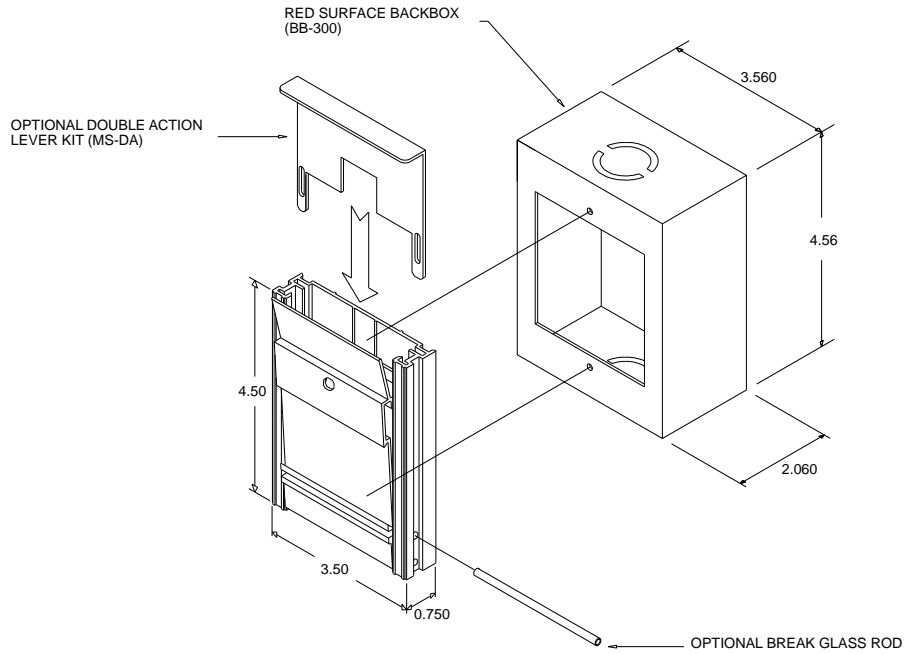
Resetting is accomplished by inserting a 1/8" screwdriver from the front. The handle, once pulled will remain open and cannot be reset without utilizing the screwdriver.

### Specifications

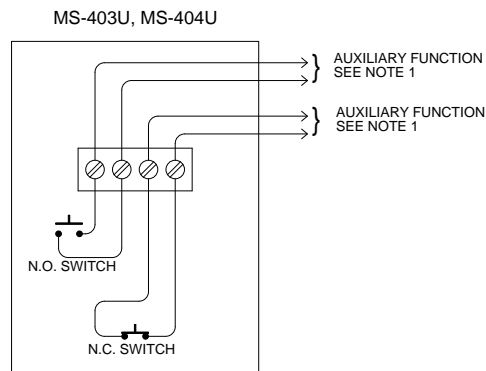
The single action Emergency Manual Station shall be Mircom's MS-400U Series. Operating instructions shall be in raised English lettering and the unit shall be constructed of extruded aluminium, finished in either Blue (MS-403) or Yellow (MS-404) enamel paint to provide quick identification. Pulling the handle shall initiate immediate operation of the peripheral(s) connected.



## Dimensions



## Wiring Diagram



### NOTES:

1. OTHER SWITCH CONFIGURATION OPTIONALLY AVAILABLE.
2. MOUNT STATION TO 2" X 4" X 2 1/4" OUTLET BOX.
3. SWITCH RATING: ALL MODELS 1A @ 30 VDC, 0.1a @ 120 VAC
4. MAXIMUM WIRE SIZE: No. 12 AWG

## Ordering Information

MODEL	DESCRIPTION
MS-403U	Single Action, Blue Manual Station
MS-404U	Single Action, Yellow Manual Station
MS-DA	Double Action Lever Kit (converts any of the above to double action stations)

**Note:** MS-DA available standard in RED colour only. Other colours available in quantities of 50 pieces or more.

NOT TO BE USED FOR INSTALLATION PURPOSES.



**Canada**  
 25 Interchange Way  
 Vaughan, Ontario L4K 5W3  
 Telephone: (905) 660-4655  
 Fax: (905) 660-4113

**U.S.A.**  
 4575 Witmer Industrial Estates  
 Niagara Falls, NY 14305  
 Toll Free: (888) 660-4655  
 Fax Toll Free: (888) 660-4113

Web page: <http://www.mircom.com> Email: [mail@mircom.com](mailto:mail@mircom.com)

Distributed by:

ISO 9001:2008  
 REGISTERED

CAT. 5111  
 Rev. 6