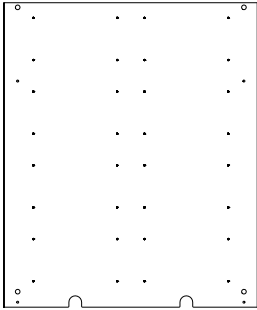
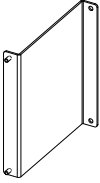
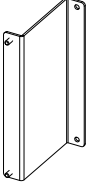
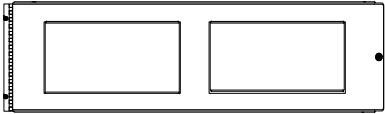
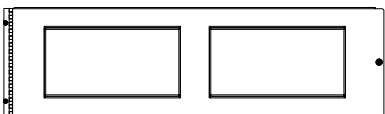
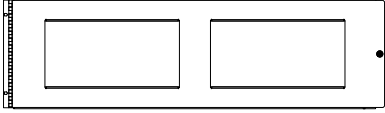

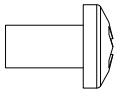
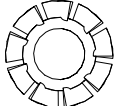
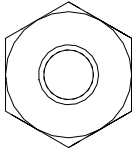
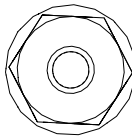
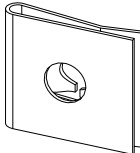
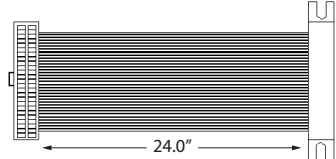
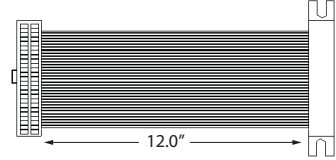


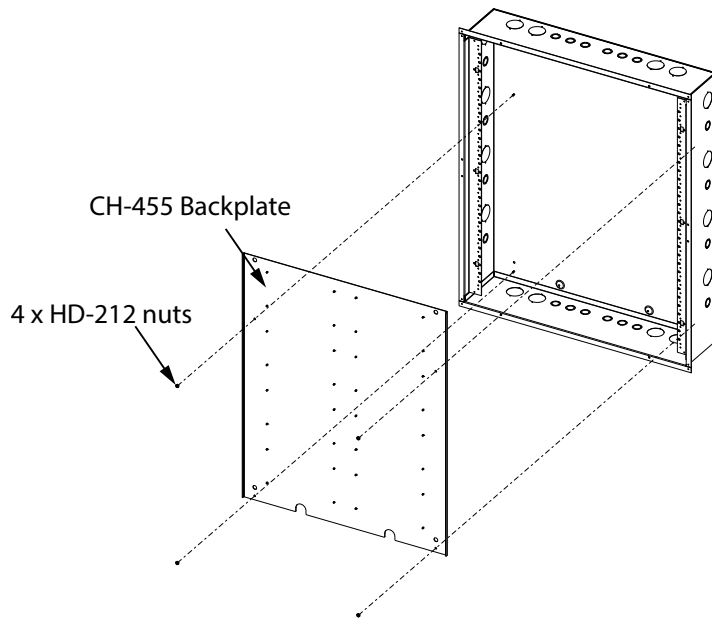
CCH-5008-ANNUNKIT Installation Instructions

1. Contents of the Kit

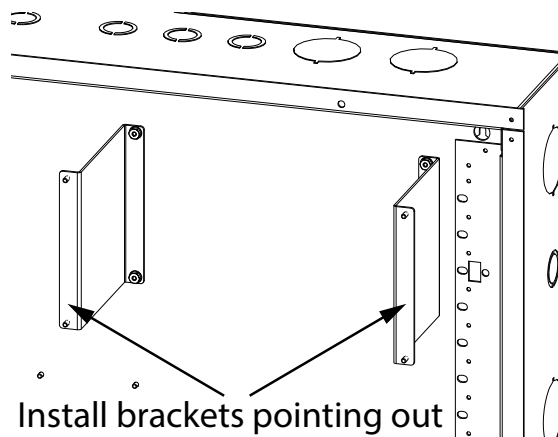
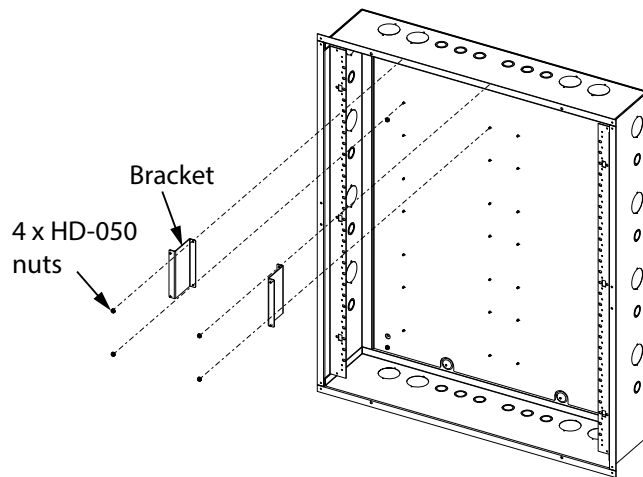
Name	Quantity	Picture	Description
CH-455	1		Backplate for 8 modules Attach to backbox with 4 HD-212 nuts
BK-368	8		Medium "Z" Bracket 4 1/2" used for mounting display adders FDX-008(W)(KI), IPS-2424DS, QAZT-5302DS and RAX-1048TZDS Attach to backplate with 16 HD-050 nuts
BK-369	2		Small "Z" Bracket 3 3/4" used for mounting RAX-LCD and RAXN-LCD annunciators if more display frames are required Attach to backplate with 4 HD-050 nuts
CH-503B	1		2-window deadfront used for RAX-LCD and RAXN-LCD Annunciators Attach to backbox with 2 HD-024 metal screws and 2 HD-304 washers
CH-502B	3		2-window deadfront used for mounting display adders FDX-008(W)(KI), IPS-2424DS, QAZT-5302DS and RAX-1048TZDS Comes with 4 x CH-536B deadfront covers attached with 16 screws Attach to backbox with 2 HD-024 metal screws and 2 HD-304 washers
CH-443B	1		2-window deadfront used for the QMP-5101B, QMP-5101N, QMT-5302 and QMT-5302N Comes with 2 x CH-436B blank plates attached with 4 nuts Attach to backbox with 2 HD-024 metal screws and 2 HD-304 washers
CH-1043B	2		Ventilation plate Attach to backbox with 8 HD-024 metal screws

Name	Quantity	Picture	Description
HD-024	18		Metal screw For fastening CH-503B, CH-502B, CH-443B deadfronts to backbox (8), CH-1043B ventilation plates to backbox (8), and extra (2)
HD-304	10		Washer For fastening CH-503B, CH-502B, CH-443B deadfronts to backbox (8) and extra (2)
HD-212	6		Nut, #8-32 For fastening backplate to backbox (4) and extra (2)
HD-050	44		Nut, #6-32 For fastening brackets to backplate (20), modules to brackets (20), and extra (4)
HD-226	5		Spring nut For closing deadfronts
MD-575	4		Cable extender, 26-pin ribbon
MD-687	6		34-pin ribbon cable, 12"

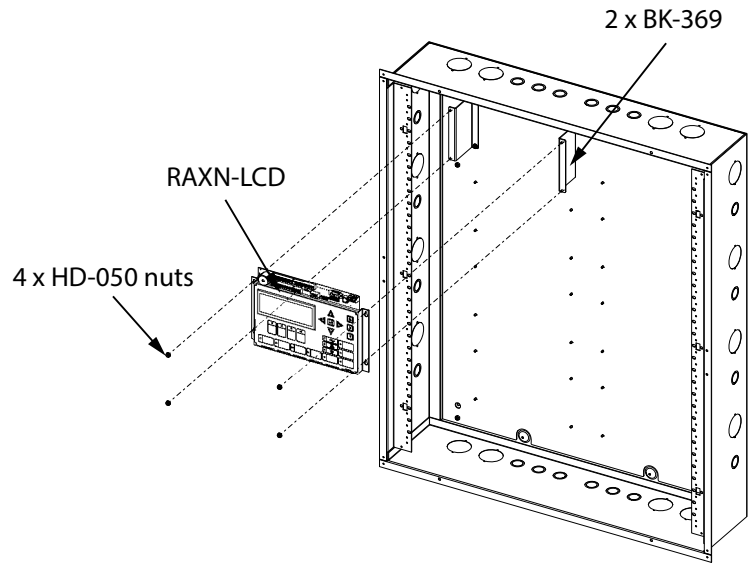
2. Attach the Backplate



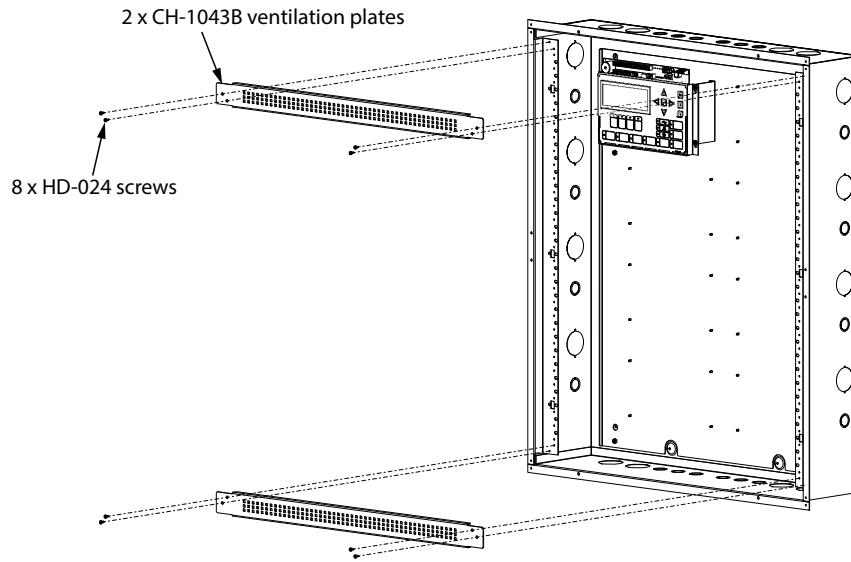
3. Attach Brackets



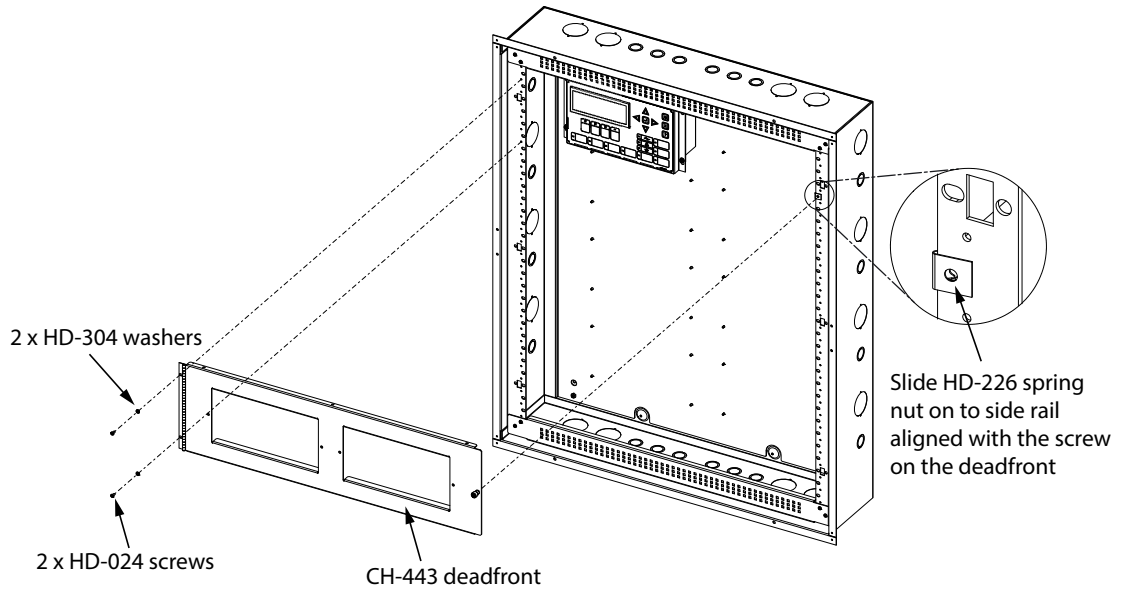
4. Mount Annunciators



5. Attach Fill-In Blanks



6. Attach Deadfronts



Example Setup

