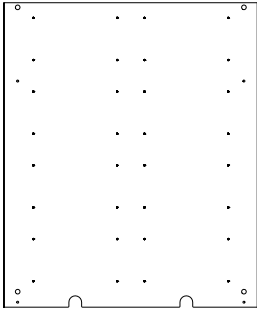
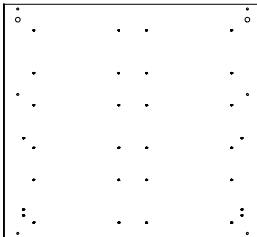
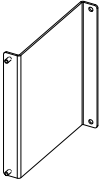
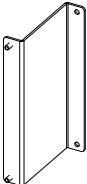
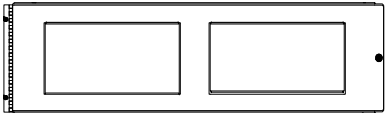
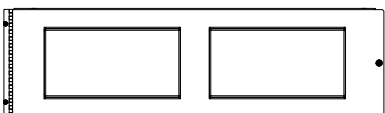
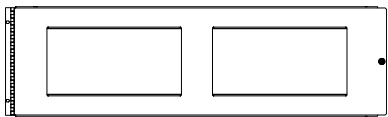
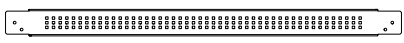
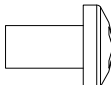
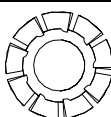
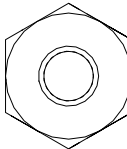
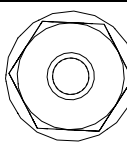
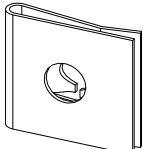
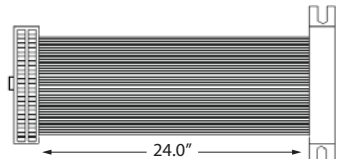
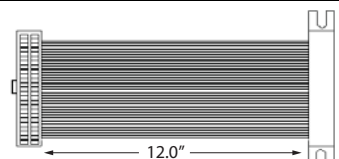


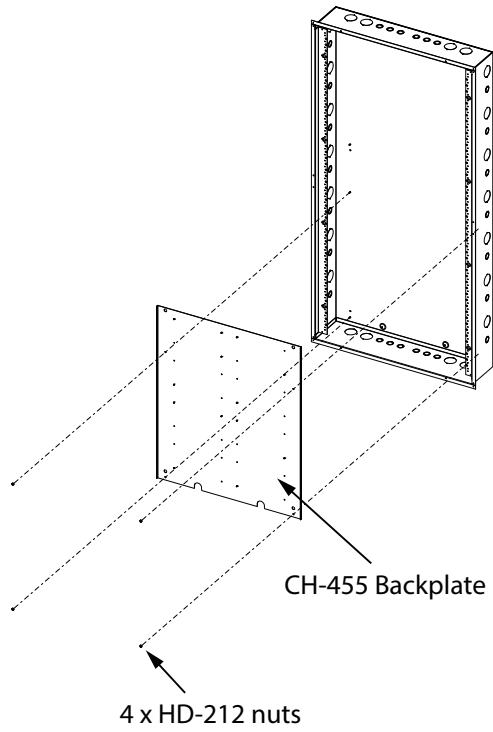
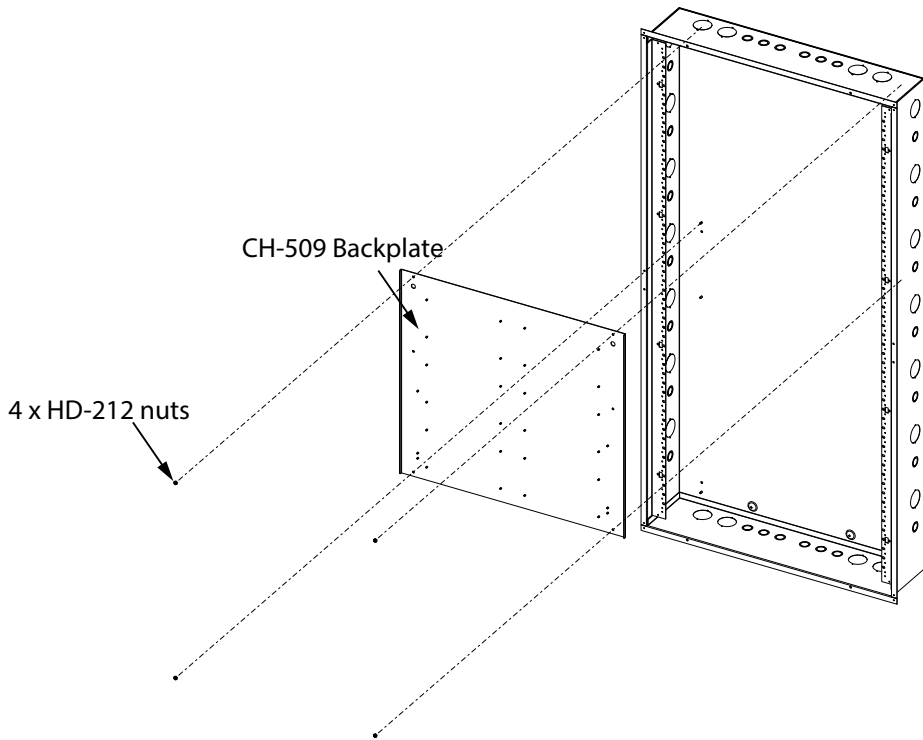
CCH-5014-ANNUNKIT Installation Instructions

1. Contents of the Kit

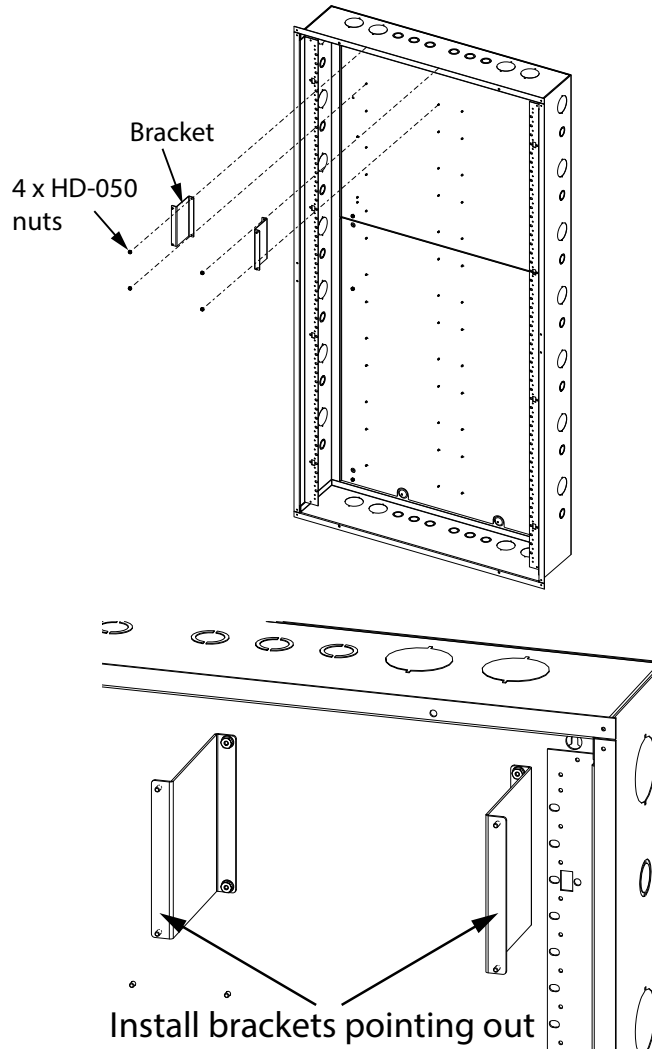
| Name | Quantity | Picture | Description |
|---------|----------|---|--|
| CH-455 | 1 |  | Backplate for 8 modules Attach to backbox with 4 HD-212 nuts |
| CH-509 | 1 |  | Backplate for 6 modules Attach to backbox with 4 HD-212 nuts |
| BK-368 | 12 |  | Medium "Z" Bracket 4 1/2" used for mounting display adders FDX-008(W)(KI), IPS-2424DS, QAZT-5302DS and RAX-1048TZDS Attach to backplate with 24 HD-050 nuts |
| BK-369 | 2 |  | Small "Z" Bracket 3 3/4" used for mounting RAX-LCD and RAXN-LCD annunciators if more display frames are required Attach to backplate with 4 HD-050 nuts |
| CH-503B | 1 |  | 2-window deadfront used for RAX-LCD and RAXN-LCD Annunciators Attach to backbox with 2 HD-024 metal screws and 2 HD-304 washers |
| CH-502B | 6 |  | 2-window deadfront used for mounting display adders FDX-008(W)(KI), IPS-2424DS, QAZT-5302DS and RAX-1048TZDS Comes with 6 x CH-536B deadfront covers attached with 24 screws Attach to backbox with 2 HD-024 metal screws and 2 HD-304 washers |

| Name | Quantity | Picture | Description |
|----------|----------|---|---|
| CH-443B | 1 |  | 2-window deadfront used for the QMP-5101B, QMP-5101N, QMT-5302 and QMT-5302N Comes with 2 x CH-436B blank plates attached with 4 nuts Attach to backbox with 2 HD-024 metal screws and 2 HD-304 washers |
| CH-1043B | 2 |  | Ventilation plate Attach to backbox with 8 HD-024 metal screws |
| HD-024 | 24 |  | Metal screw For fastening CH-503B, CH-502B, CH-443B deadfronts to backbox (14), CH-1043B ventilation plates to backbox (8), and extra (2) |
| HD-304 | 16 |  | Washer For fastening CH-503B, CH-502B, CH-443B deadfronts to backbox (14) and extra (2) |
| HD-212 | 10 |  | Nut, #8-32 For fastening backplates to backbox (8) and extra (2) |
| HD-050 | 60 |  | Nut, #6-32 For fastening brackets to backplate (28), modules to brackets (28), and extra (4) |
| HD-226 | 8 |  | Spring nut For closing deadfronts |
| MD-575 | 2 |  | Cable extender, 26-pin ribbon |
| MD-687 | 8 |  | 34-pin ribbon cable, 12" |

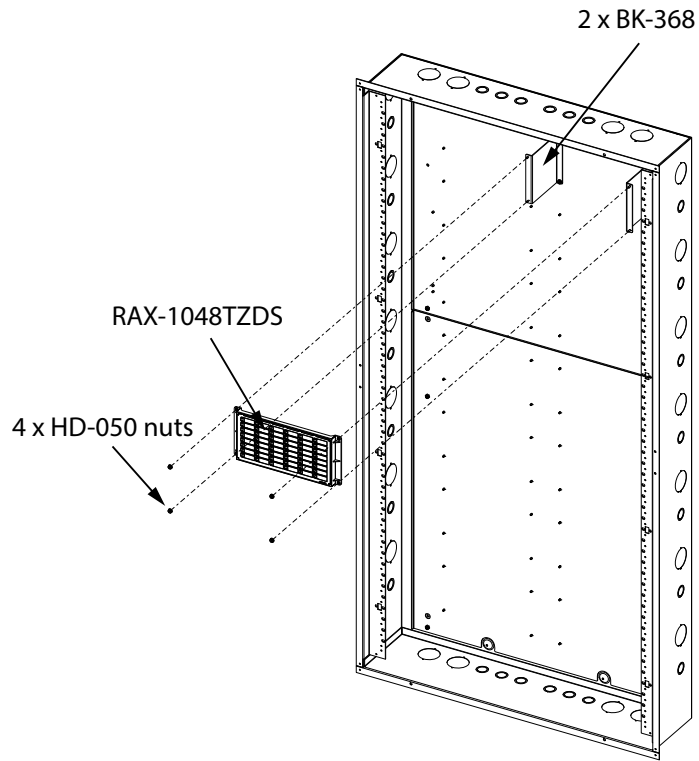
2. Attach the Backplate



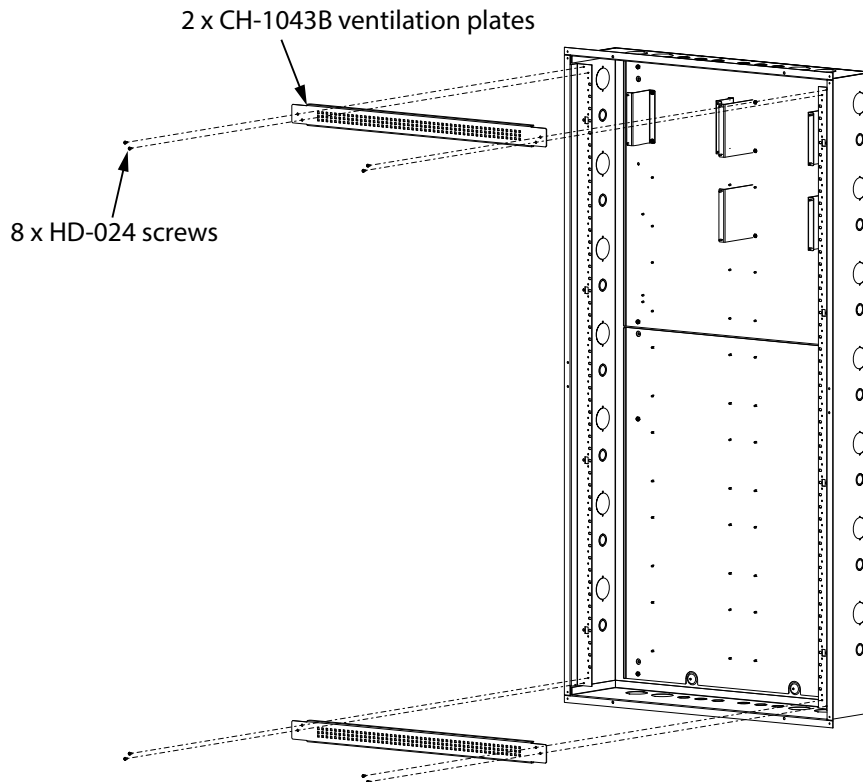
3. Attach Brackets



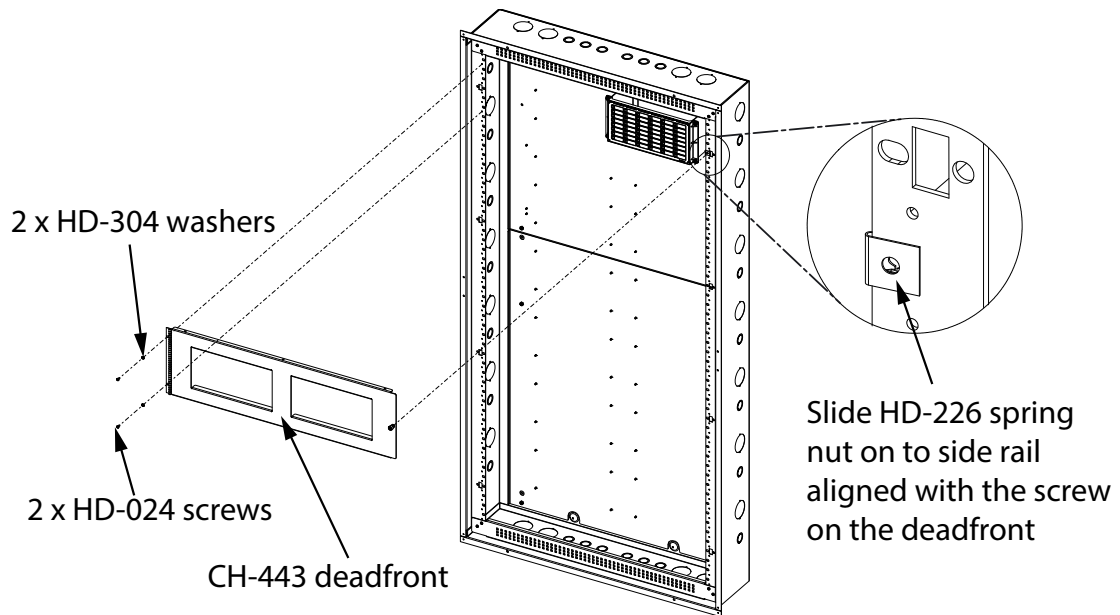
4. Mount Annunciators



5. Attach Fill-In Blanks



6. Attach Deadfronts



Example Setup

