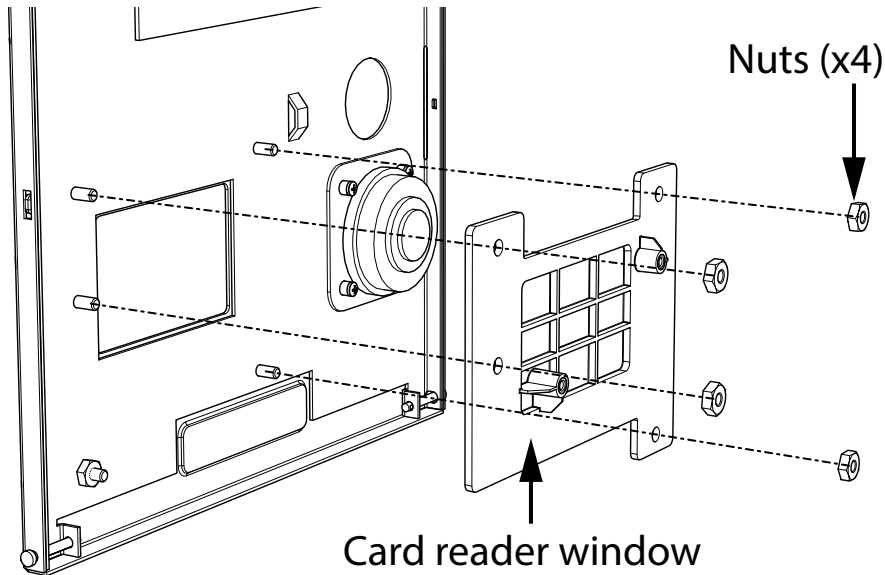


Mircom™ Postal Lock Installation

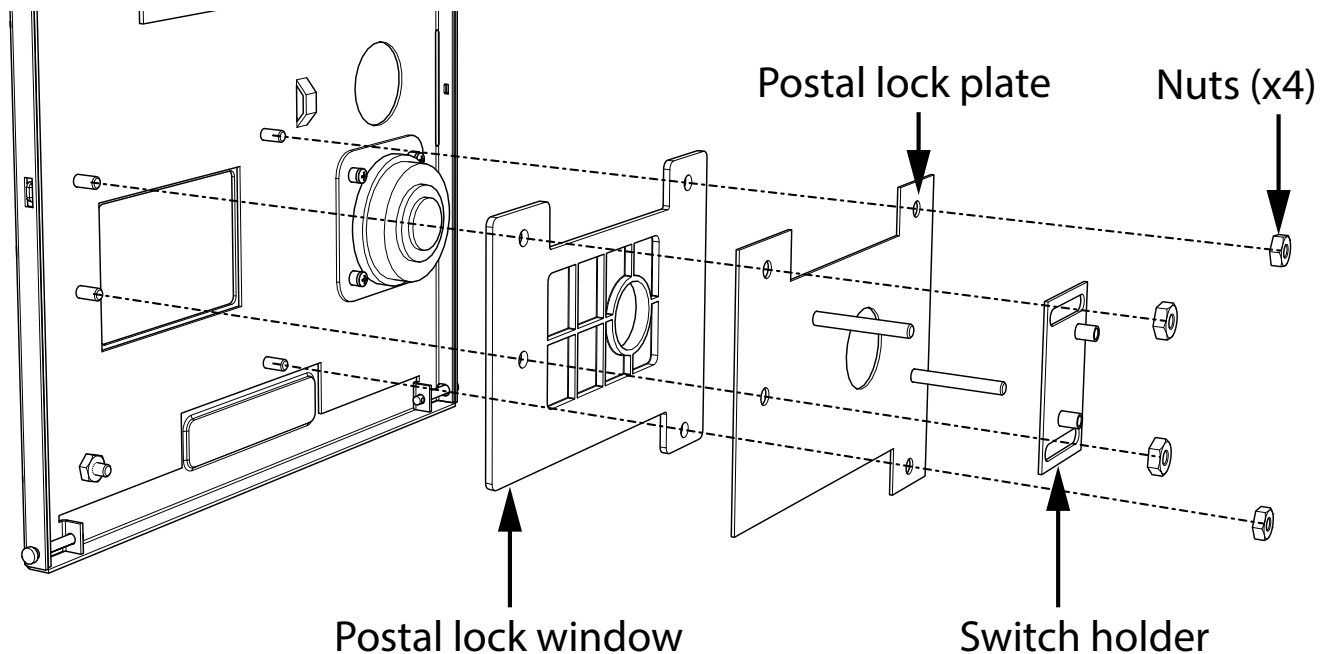
Parts required:

- 2 x nuts for securing postal lock
- 2 x screws for postal lock switch
- 2 x washers for postal lock switch
- 1 x postal lock switch with cable
- 1 x switch holder
- 1 x postal lock window
- 1 x postal lock plate

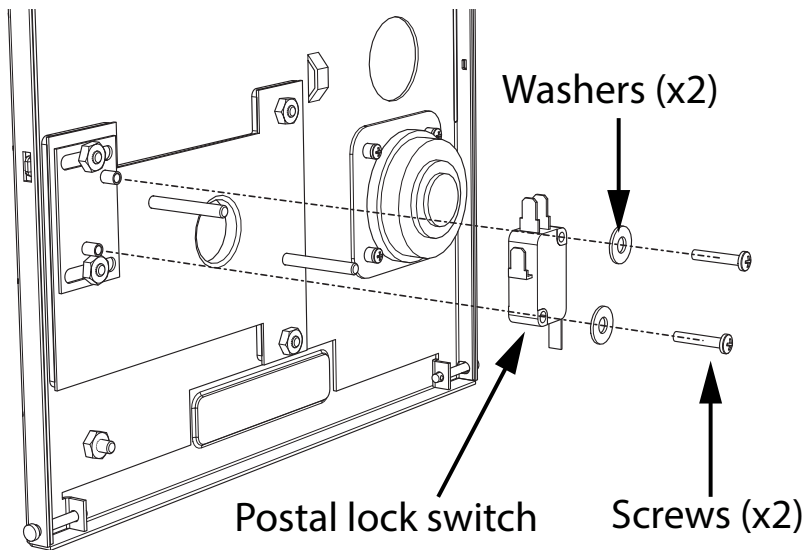
1. **Disconnect the Power**
2. **Remove the Card Reader Window**



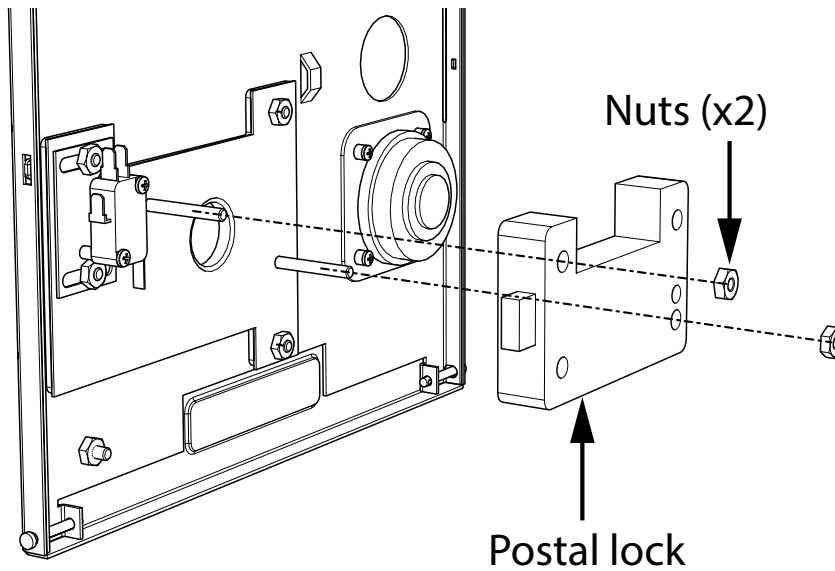
3. **Use the 4 Nuts to Secure the Postal Lock Window, Plate, and Switch Holder**



4. Attach the Switch



5. Attach the Postal Lock



6. Wire the Switch

Wire the postal lock switch to Input 1 with the included cable.

Note: Do not wire the switch until after the postal lock is installed.

