



ALV Series Locks

- Handle Assembly



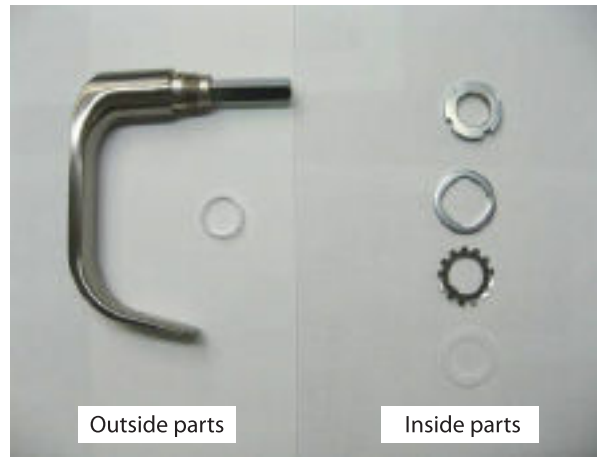
LOC International Inc.
Phone - 450 984 1113
800 724 5904

Fax - 450 984 2831
800 724 2910

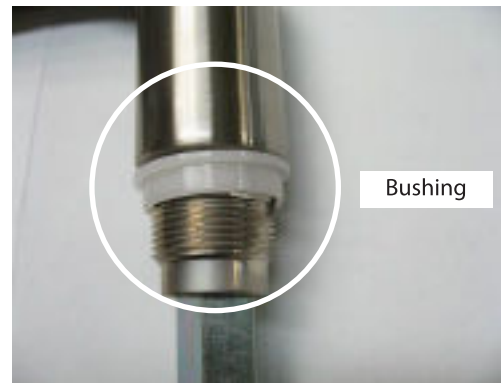
info@locinternational.com
www.locinternational.com

Installing the handle to the escutcheon

1. Prepare the escutcheon and the handle with the nut set.



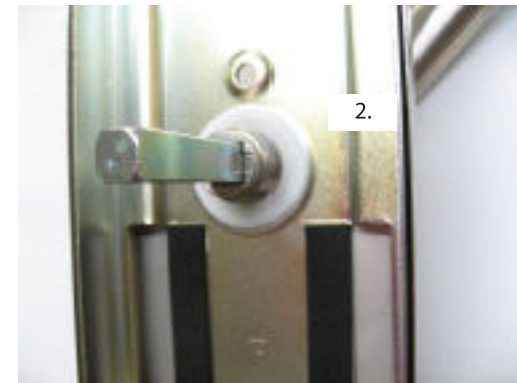
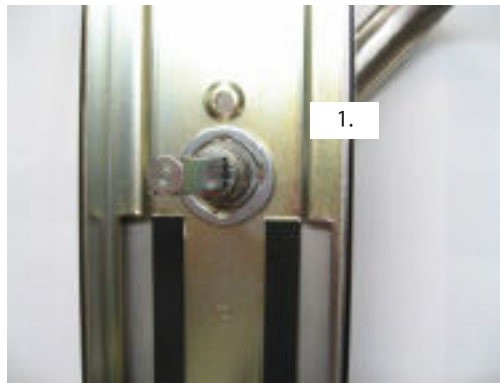
2. Install bush to the handle as follows.



3. Install the handle with bushing to the escutcheon.



4. Install remaining parts of nut set to escutcheon with handle.





Match the tab to the slot.



Bend the tab with a small flat-bladed screwdriver and lock the nut in place.





ALV2P (regular) and ALV2S (slim)

- Installation Manual



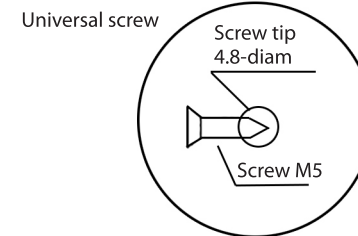
LOC International Inc.
Phone - 450 984 1113
800 724 5904

Fax - 450 984 2831
800 724 2910

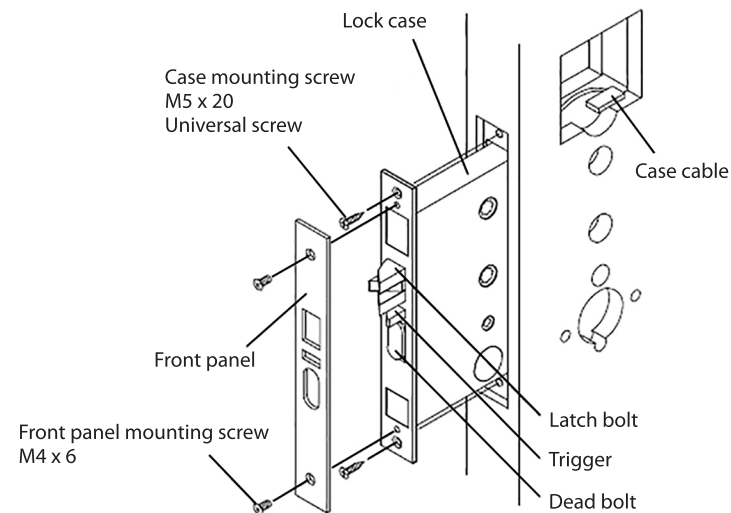
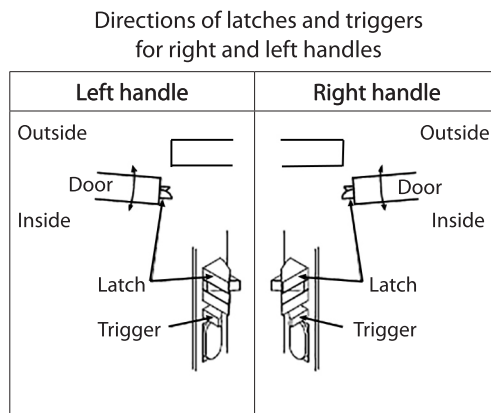
info@locinternational.com
www.locinternational.com

1. Installing the lock case and front panel

1. Position the case into the mortise.
Note: Lead the case cable to the inside of the door from the square hole before inserting lock case.
2. Fasten the lock case with the two case mounting screws.
3. Fasten the front panel with two front panel mounting screws.



Before installation of lock case, please check lock case's handles.



Take care that the case wire is not caught anywhere.

CAUTION

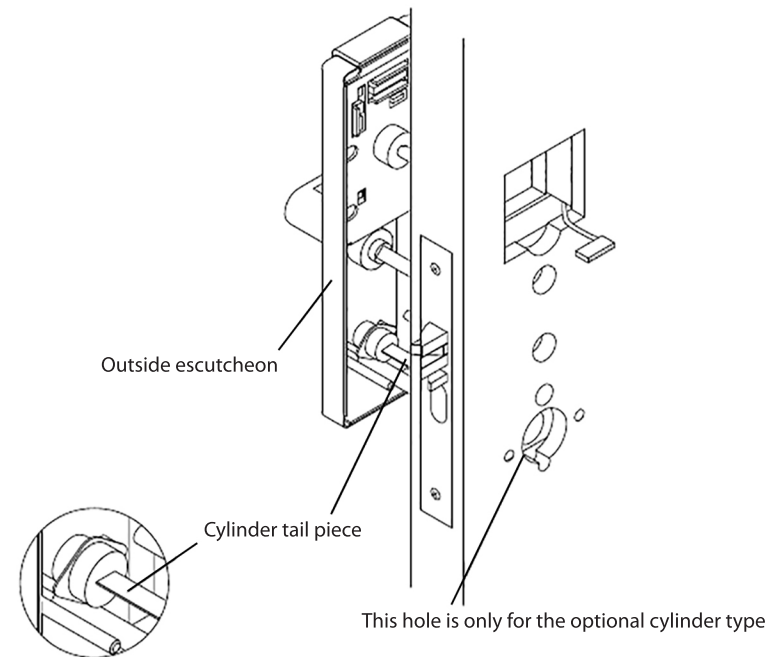
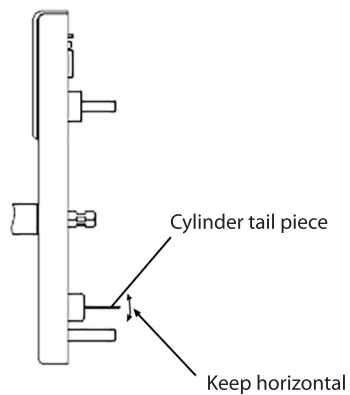
1. Ensure that all wires have been correctly connected.
2. Check that the batteries are correctly installed.
3. After the card lock is installed, never close the door until an operational check is completed.

2. Installing the outside escutcheon

Position the outside escutcheon onto the door, inserting the handle spindle into the lock case while keeping the handle horizontal.

Optional cylinder type

Keep cylinder tail piece in the horizontal position, using a screwdriver to insert it into the lock case.

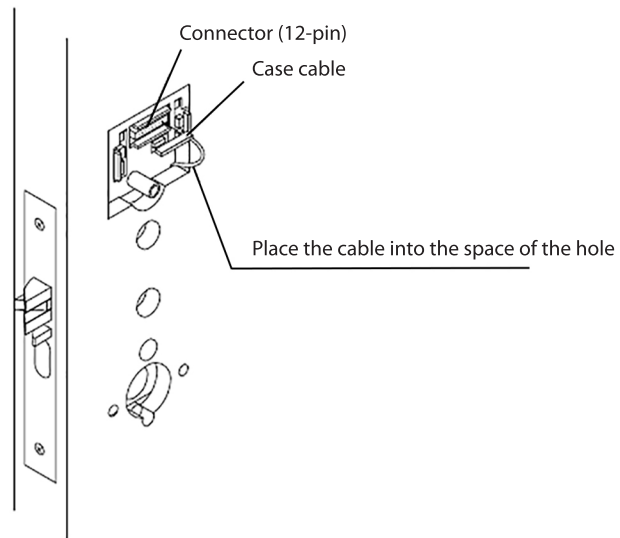


CAUTION

1. Ensure that all wires have been correctly connected.
2. Check that the batteries are correctly installed.
3. After the card lock is installed, never close the door until an operational check is completed.

3. Connecting the case cable

Connect the case cable to the connector (12-pin) in the outside escutcheon.



Ensure that the cable has been correctly connected.

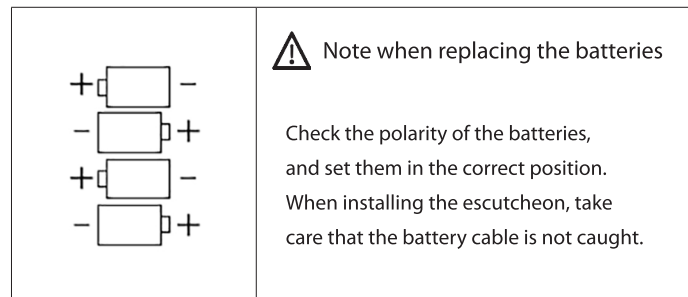
CAUTION

1. Ensure that all wires have been correctly connected.
2. Check that the batteries are correctly installed.
3. After the card lock is installed, never close the door until an operational check is completed.

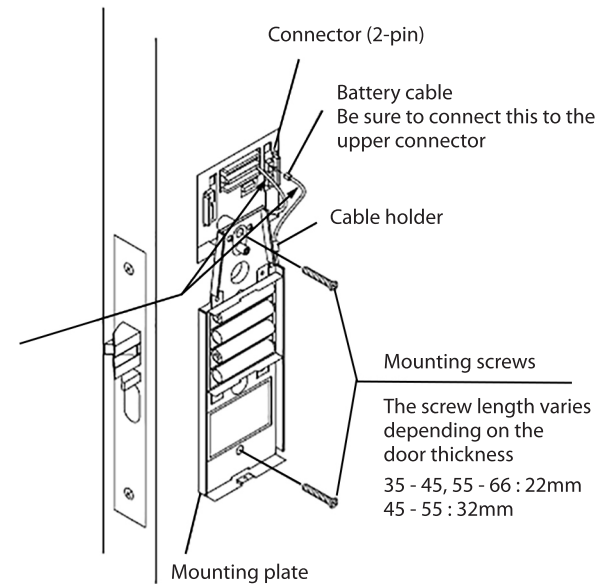
4. Installing the inside mounting plate


1. Install the inside mounting plate and fasten the two mounting screws.
2. Connect the battery cable to the upper connector of the board of the outside escutcheon (2-pin).
3. Bind the battery cable with the cable holder.


- Use 4 AA alkaline batteries.
- No not use batteries of different brands or mix any new and old batteries.




Take care that the cable is not caught between the door and the mounting plate



 Ensure that the cable has been correctly connected.

 Take care not to drop the outside escutcheon.

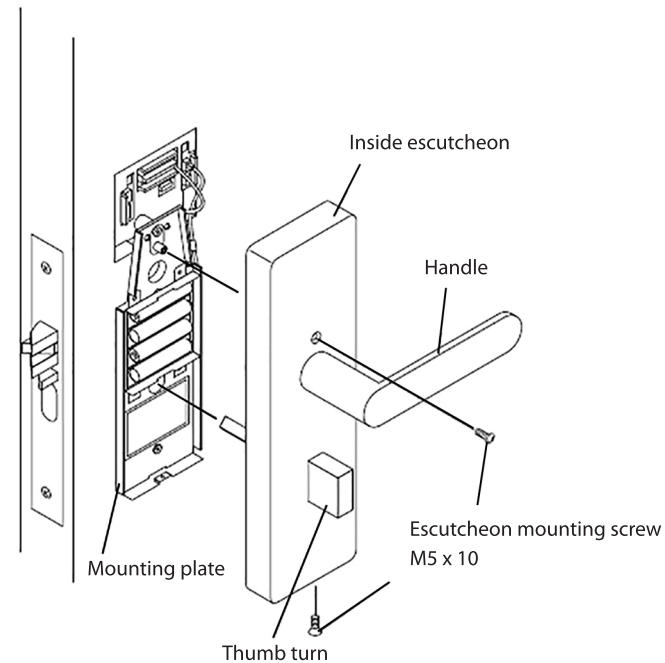
 Incorrect use of batteries may cause leakage or rupture.

CAUTION

1. Ensure that all wires have been correctly connected.
2. Check that the batteries are correctly installed.
3. After the card lock is installed, never close the door until an operational check is completed.

5. Installing the inside escutcheon

1. Position the inside escutcheon onto the door.
Note: Keep the handle horizontal and the thumb turn vertical.
Take care that the cables are not caught in between the case and the escutcheon.
2. Temporarily fasten the inside escutcheon with the two mounting screws.
3. Turn the handle to make sure that it returns to the horizontal position, and then tighten the escutcheon mounting screws.



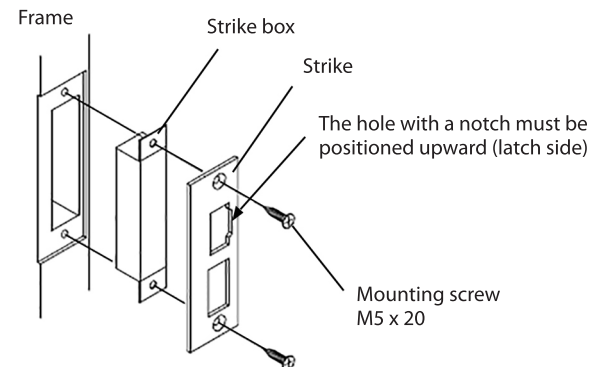
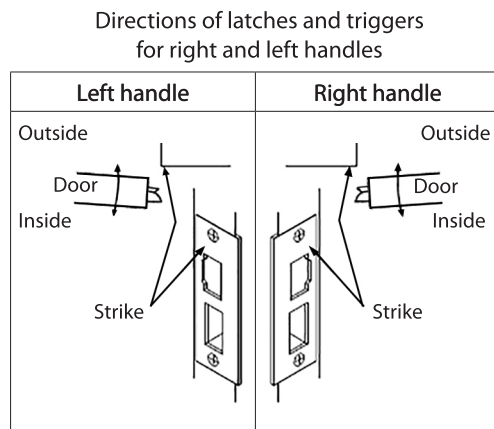
CAUTION

1. Ensure that all wires have been correctly connected.
2. Check that the batteries are correctly installed.
3. After the card lock is installed, never close the door until an operational check is completed.

6. Installing the strike plate

Install the strike plate and strike box with the two mounting screws.

Before installation of the lock case, please check the lock case's handle.



CAUTION

1. Ensure that all wires have been correctly connected.
2. Check that the batteries are correctly installed.
3. After the card lock is installed, never close the door until an operational check is completed.