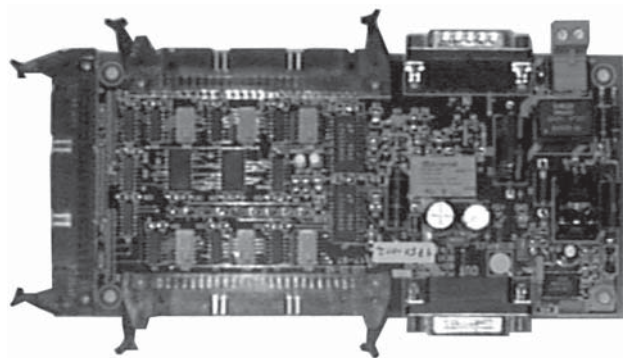


PRO-2000 Mimic Driver Card



Description

The Mimic Driver Card enables the X0, X2 and X6 configurations of the PRO-2000 Series to power and control a geographic annunciator.

A serial link relays information between the LCD processor, the LCD display unit and the Mimic Driver Card. The serial link enables daisy chaining of up to three Mimic Drivers. Each Mimic Driver Card controls up to 48 LEDs and 72 push buttons available for a geographic annunciator.

The Mimic Driver Card has two DSUB-15 connectors: one input and one daisy-chained output, through which power and information pass.

On the X2 type panels, the serial communication occurs between the Processing and Display Unit (LCD) and the Mimic Driver.

On the X0 and X6 type panels, the serial communication occurs between the LCD and the Mimic Driver.

The Mimic Driver has removable connectors to facilitate easy installation and field support. Also a step down switching power supply is used for optimum efficiency and reliability.

Features

- Controls up to 48 LED indicators and 24 push buttons
- Up to three Mimic cards can be cascaded for increased capacity
- Serial interface with the LCD/Processing and Display Unit (LCD)
- Switching power supply for increased power efficiency
- Removable connectors for easy servicing

Specifications

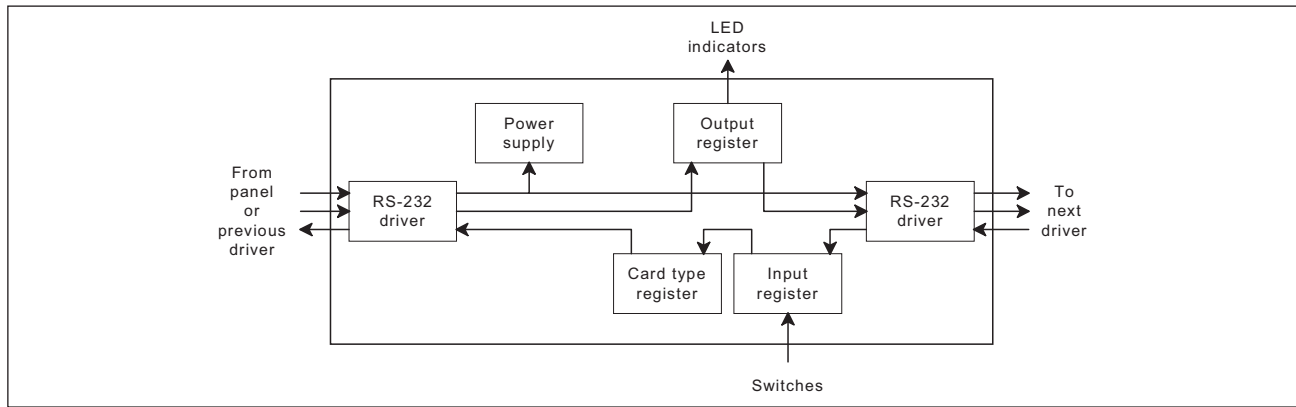
Electrical Specifications	
Input Voltage	20 to 28.5 VDC
Standby Input Current (all LED indicators OFF)	50 mA @ 24 VDC
Maximum Input Current (all LED indicators ON)	160 mA @ 24 VDC
LED Indicator	
Current per LED	2.2 mA @ 24 VDC
Serial Communication	
Input Serial Communication	As per RS-232 electrical standards
Output Serial Communication	As per RS-232 electrical standards
Physical Specifications	
Length	7.0" (177.8 mm)
Width	3.25" (82.6 mm)
Thickness	1" (25.4 mm)
Weight	5.29 oz. (150 g)



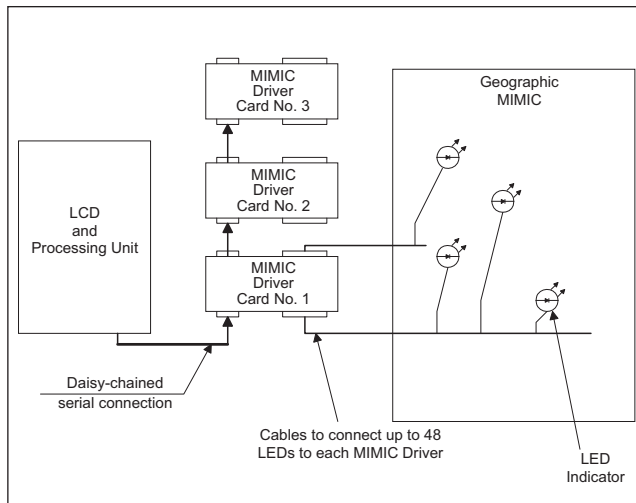
USCG
161.002/41/1
ABS
05-MO602743-X

CCG
Accepted

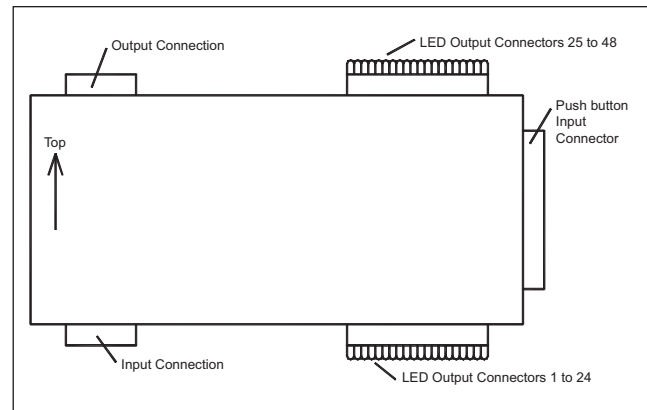
Block Diagram



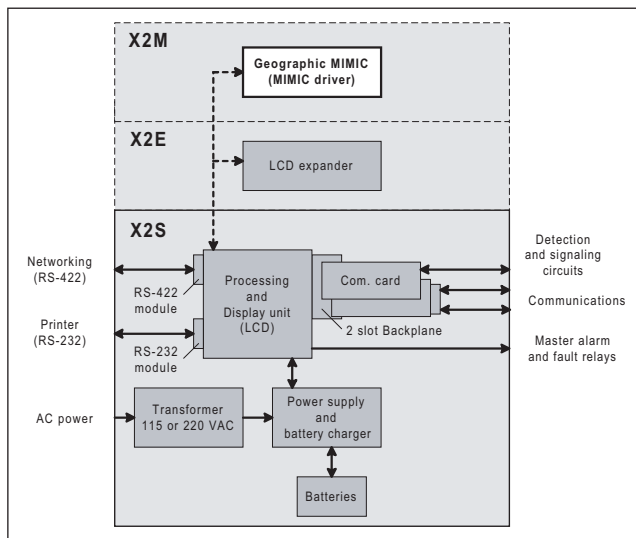
Typical Diagram



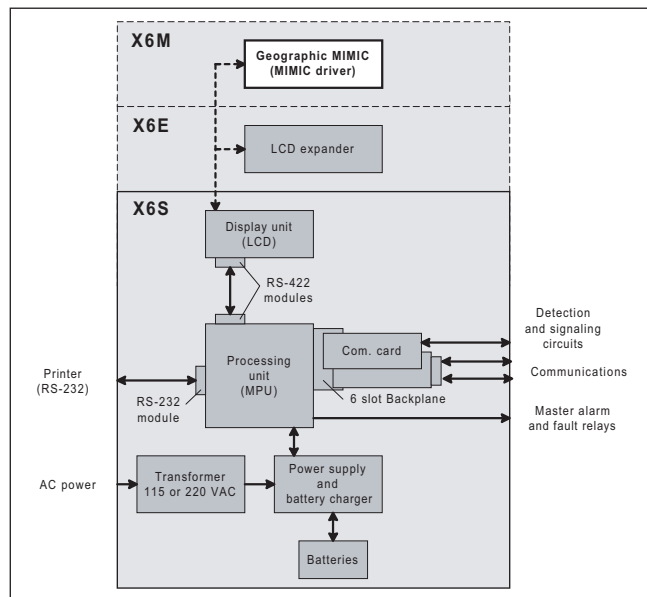
Mimic Driver Connection Sketch



LCD Expander Card Connected to an X2 Type Panel



LCD Expander Card Connected to an X6 Type Panel



Ordering Information

Model Number	Description
PCA-13461-00	PRO-2000 Mimic Driver Card UL/ULC
PCA-13461-01	PRO-2000 Mimic Driver Card Marine