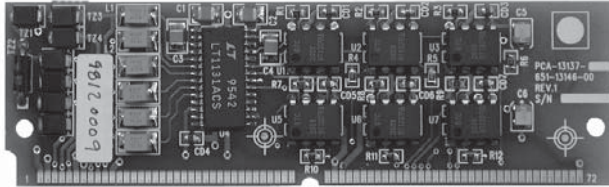


## PRO-2000 RS-232 Interface Module



### Description

The RS-232 communication interface module easily snaps onto the PRO-2000 Series products to enable RS-232 capabilities to a printer, a terminal and other RS-232 compatible equipment. The printer must be UL Information Technology Equipment Listed.

In addition to the RX/TX line pairs, the module features two inputs and two outputs that implement a hardware handshake protocol such as RTS/CTS.

The RS-232 module allows "point-to-point" serial communication and can be used on the following PRO-2000 Series products:

- Communication card mounted onto the backplane of the Display Unit (LCD card)
- Communication card mounted onto the backplane of the Processing Unit (MPU card)
- Communication socket of the Display Unit (LCD card)
- Communication socket of the Processing Unit (MPU card)

The RS-232 module has an optical interface to the system electronics and is powered by an isolated power supply that greatly increases electrical noise immunity.

All inputs and outputs have full transient protection that guards against electrical and electrostatic discharges that can occur in the field.

The RS-232 module is held in place onto the socket by two metallic locks that facilitate field servicing.

### Features

- Allows RS-232 communication on PRO-2000 products
- Full transient protection on all RS-232 inputs & outputs
- Opto-isolated interface to system electronics for an increased electrical noise immunity
- Modular design for easy replacement by insertion into the receiver board's 72-pin socket
- One RS-232 port per module

### Specifications

Electrical Specifications	
Input Voltage	5 VDC $\pm$ 0.3 VDC
Input Current	80 mA
RS-232 Outputs & Inputs	
RS-232 Output transmitter voltage	As per RS-232 standard
RS-232 Input receiver voltage	As per RS-232 standard
Physical Specifications	
Length	4.25" (108 mm)
Width	1.275" (32.4 mm)
Thickness	0.75" (19.1 mm)
Weight	0.71 oz. (20 g)



S7010



S7010

**USCG**

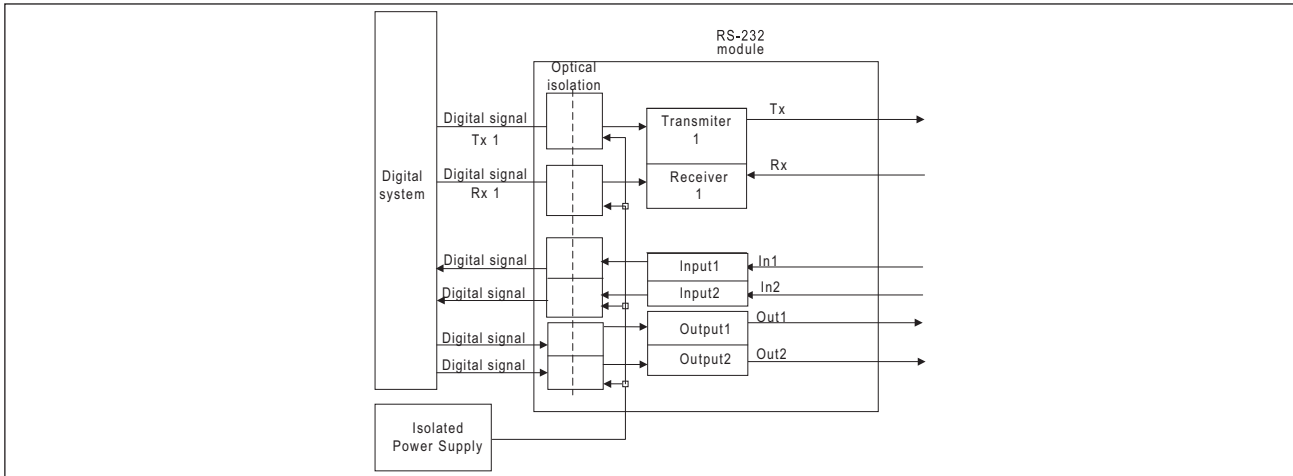
161.002/41/1

**ABS**

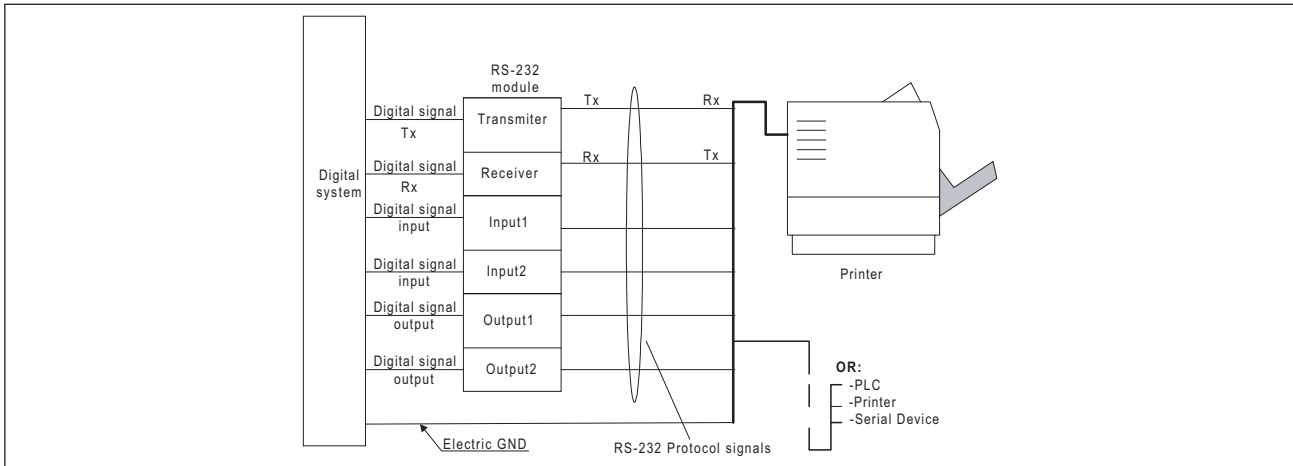
05-MO602743-X

**CCG**  
Accepted

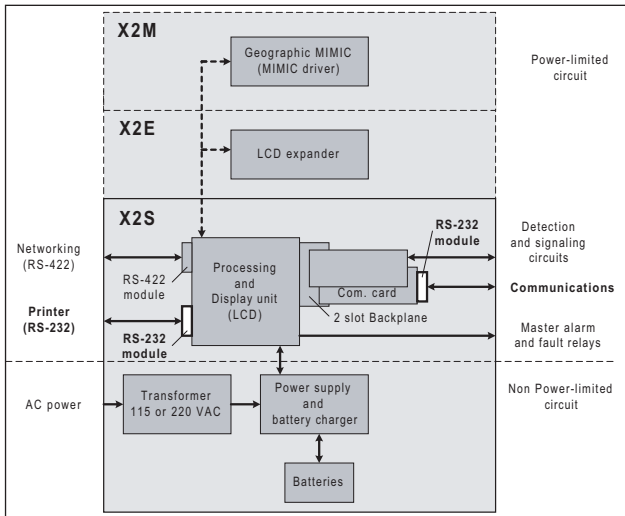
## Block Diagram



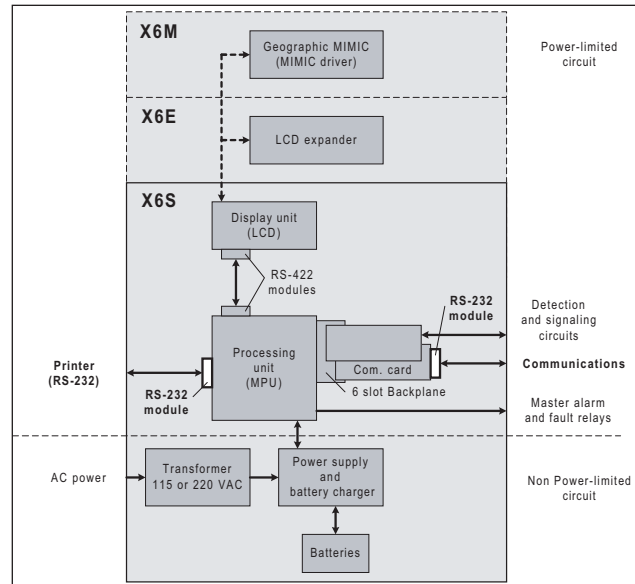
## Typical Application



## Interface Module Connected to an X2 Type Panel



## Interface Module Connected to an X6 Type Panel



## Ordering Information

Model Number	Description
PCA-13137-00	PRO-2000 RS-232 Interface Module, UL/ULC
PCA-13137-01	PRO-2000 RS-232 Interface Module, Marine