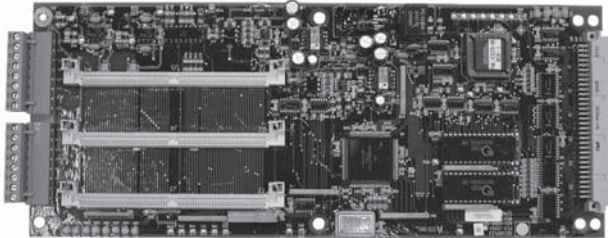


PRO-2000 Communication Card



Description

The Communication Card enables the PRO-2000 Series panels to be connected to various communication interfaces such as RS-232, RS-422 and RS-485.

Each of the three ports is built into a communication module. The user simply inserts the communication module of the desired protocol into anyone of the three available slots. The communication card can support the use of all three modules simultaneously if desired, but multiples of the same communication module cannot be used.

The RS-232 enables the PRO-2000 Series panels to communicate with personal computers and printers. The RS-422 enables the PRO-2000 Series panels to communicate in a network configuration. The RS-485 enables the PRO-2000 Series panel to communicate with specialized gas and flame detectors.

Each communication module has an isolated power supply and is fully isolated from other panel electronics and from each other. Port#1 has independent transient protection and ground fault detection. While ports #2 and #3 share transient protection and ground fault detection.

Features

- Microprocessor controlled
- Three (3) communication ports available
- Short circuit protection on each output circuit
- Fuseless power input with supervision and power limiting
- Full transient protection on all outputs
- Field electronics fully isolated from system electronics for increased electrical noise immunity
- Built-in local ground fault detection for easier maintenance and troubleshooting
- Built-in isolated switching power supply for increased power efficiency
- Software based analysis for easy configuration and upgradability
- Surface mount technology
- Removable connectors for easy servicing
- Removable driver cards for easy servicing

Specifications

Electrical Specifications	
Input Voltage	20 to 28.5 VDC
Standby Current	113 mA
Standby Current required with RS-232/RS-485/RS-422	190 mA
Physical Specifications	
Length	11.9" (302.3 mm)
Width	4.85" (123.2 mm)
Thickness	1" (25.4 mm)
Weight	14.1 oz. (400 g)



S7010



S7010

USCG

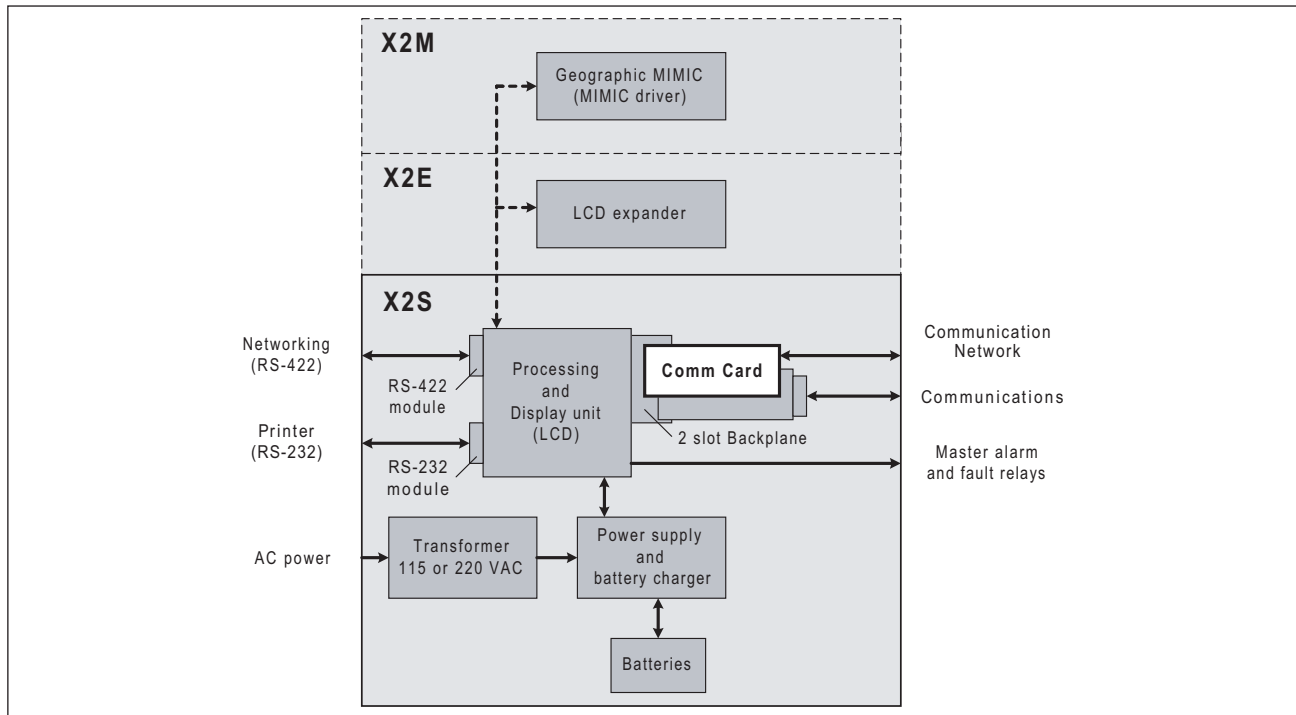
161.002/41/1

ABS

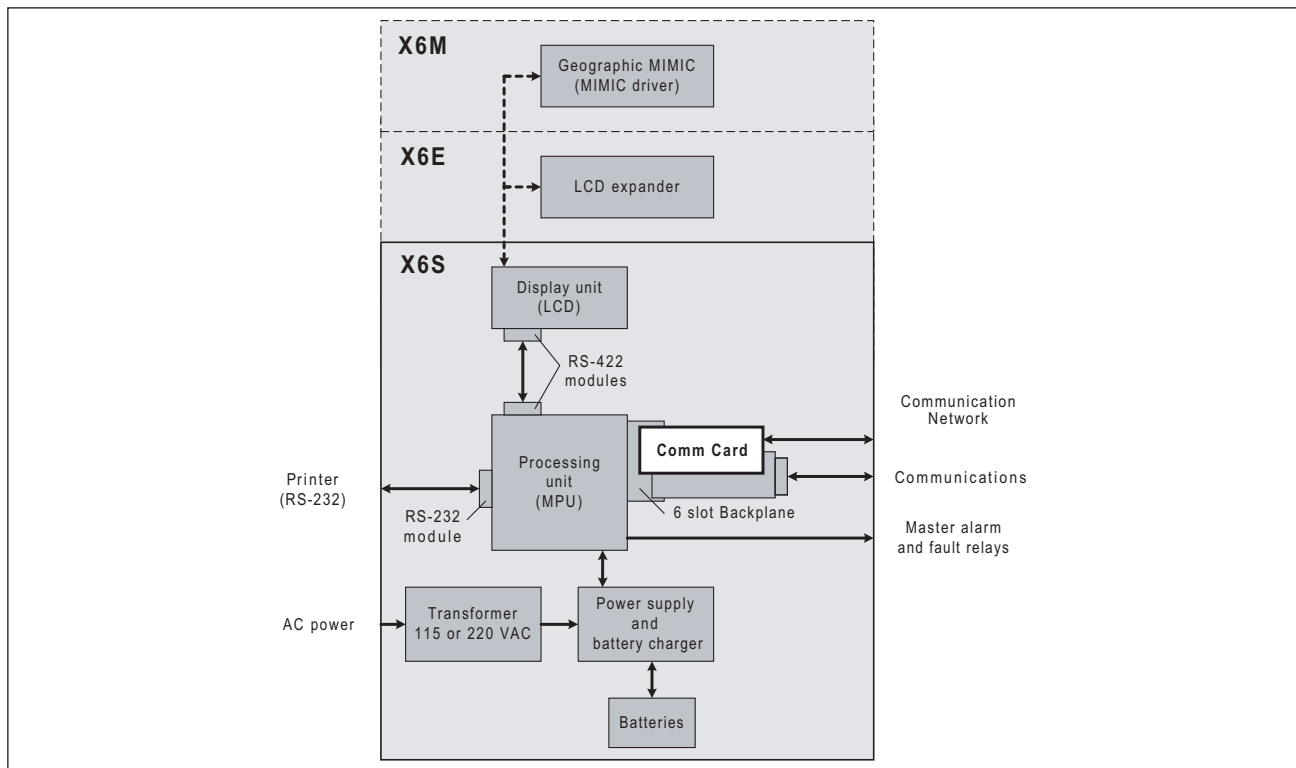
05-MO602743-X

CCG
Accepted

Communication Card Connected to an X2 Type Panel



Communication Card Connected to an X6 Type Panel



Ordering Information

Model Number	Description
PCA-12892-00	PRO-2000 Communications Card, UL/ULC
PCA-12892-01	PRO-2000 Communications Card, Marine