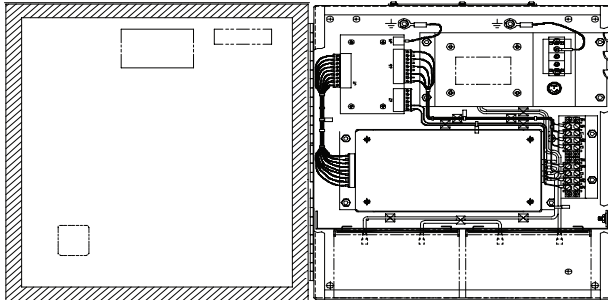


## PRO-2000 APS-14127 Auxiliary Power Supply



### Description

The Auxiliary Power Supply is suitable for applications where it is necessary to have a battery backup in case of loss of the main power supply. The input voltage is 115V, 60Hz or there is a second version which sustains an input voltage of 220V, 50Hz.

The output provides 28VDC with a current of up to 4.7A. A fraction of this current of up to 2.2A is used to charge two 12V batteries. All outputs are protected against over-current and over-voltage conditions. The battery charger is protected against reverse battery connection.

Three signals are provided to monitor the Power Supply Module operation, they are as follows:

- The "AC Fault" signal is activated when the AC input voltage at the Power Supply input terminal falls below 12VAC. The information is sent via a dry contact.
- The "DC Fault" signal is activated when the battery voltage falls below 22.6VDC. The information is sent via a dry contact.

### Features

- Rugged enclosure in 18 gauge steel
- Voltage input 115VAC or 220 VAC
- Fuse protected on AC line and battery
- Built-in transient protection
- Maximum power output 125 W
- 2 output voltages: 28VDC, 5VDC
- Built-in Ground fault detection with dry contact for output signaling
- Built-in AC fault detection with dry contact for output signaling
- Built-in DC fault detection with dry contact for output signaling
- Normally Open or Normally Closed output for fault detection
- Built-in isolated switching power supply for increased power efficiency
- Battery charger with voltage regulator and current limit
- Space in the enclosure for two 12 V batteries of 12 AH each
- Removable connectors for easy servicing

- The "GND Fault" signal is activated of a condition of GND fault is detected. The information is sent via a dry contact.

Each dry contact can be used in the "normally open" or "normally closed" positions. Signals to monitor the Power Supply are provided by the fault detection module.



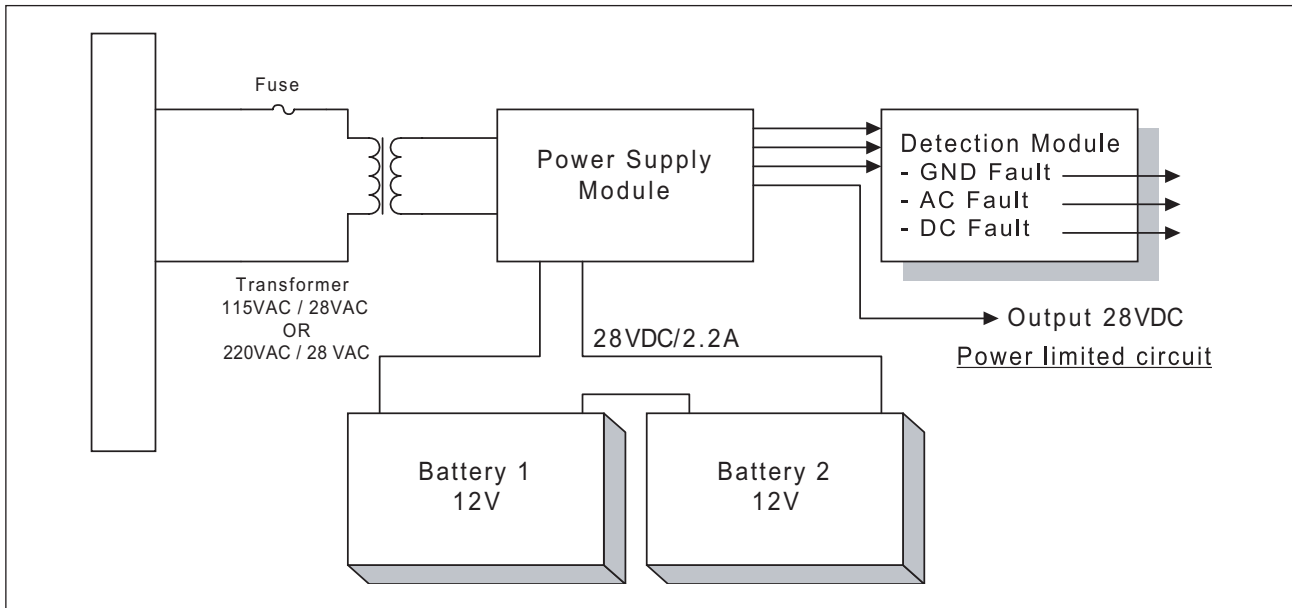
S7010



S7010

**ABS USCG**

## Typical Wiring Diagram



## Power Supply Specifications

Electrical Specifications	
Input Voltage Range	110VAC, 60Hz or 220VAC, 50Hz
Fuse Protection	2A for 115VAC 1A for 220VAC
Output Transformer	
Voltage	25 VAC
Maximum Current	5 Amps
Input Power Supply Module	
Voltage Range	20 - 30 VAC
Frequency	50/60 VAC
Total Power Supply Module Output (Output1 + Output2 + Battery Charger)	125 W
Output 1	
Operating Voltage	28.5 ± 0.3 VDC
Current Limit	4.7 Amps ± 10%
Ripple and Noise (full load)	50 mV peak-to-peak max.
Temperature Drift Coefficient	Change in output voltage 0.03%/ °C max.

Output 2	
Operating Voltage	5.0V ± 0.1V
Current Limit	3.0 ± 0.3 Amps
Ripple and Noise (Full load)	20 mV peak-to-peak max.
Temperature Drift Coefficient	Change in output voltage 0.03%/ °C max.
Battery Charger (Constant Voltage, Current Limited Type)	
Operating Voltage	27.3 VDC
Current Limit	2.2 Amps
Battery Protection	Automatic battery disconnect at 19.5V
Fuse Protection	5 Amps
Fault Signals (Dry Contacts)	
AC Fault - Relay	0.5 A, 30 VDC
DC Fault - Relay	0.5 A, 30 VDC
GND Fault - Relay	1 A, 30 VDC
Environmental	
Storage Temperature	-40°C - 60°C (-40°F - 140°F)
Physical Specifications	
16" H x 14" W x 6" D (406.4 mm x 355.6 mm x 152.4 mm)	

## Ordering Information

Model Number	Description
APS-14127-00 (04)	PRO-2000 Auxiliary Power Supply, 110V, 12AH, UL (ULC)
APS-14127-01	PRO-2000 Auxiliary Power Supply, 110V, 12AH, Marine
APS-14127-02 (05)	PRO-2000 Auxiliary Power Supply, 220V, 12AH, UL (ULC)
APS-14127-03	PRO-2000 Auxiliary Power Supply, 220V, 12AH, Marine