



### Features

- LED Ultra-bright light source
- 120/347VAC Input, field selectable
- Solid state design and construction
- Maintenance free, sealed lead acid battery
- 20 Gauge steel construction
- Universal spider knockout pattern stamped into backplate for junction box mounting
- 6VDC or 12VDC emergency power output versions
- PAR18 small style, high impact thermoplastic heads are standard
- White powder coat finish standard

### Description

The Mircom MCE & MCS series of C860 certified commercial, slim line steel combination signs are designed to provide the greatest flexibility in meeting emergency lighting needs. The clean, contemporary appearance of the sign is combined with the reliability and performance of an emergency lighting unit. Available with long-life, high brightness LEDs with energy efficient consumption as low as just 4.7w AC. Each sign is designed with a simple slide-out face/backplate for quick and easy installation and all backplates are stamped with a universal mounting pattern. Multiple conduit knockouts and a universal mounting canopy kit complete each model.

The MCE & MCS are a series of completely self-contained, combination emergency light and sign, made for use on 120 or 347 volt circuits. The MCE & MCS series are designed with 20 gauge steel construction and all faceplates have field removable knock out chevron/ arrows. A maintenance free, sealed lead acid battery is included with the unit that will provide the specified wattage for 30 minutes duration. Multiple conduit knockouts and a universal mounting pattern are stamped into the unit. White baked finish is standard.

### Circuitry

The Mircom MCE & MCS units come complete with high quality, pulse action chargers which are up to 70% more efficient than constant voltage chargers. The solid state chargers are complete with low voltage disconnect, brownout, and short circuit protections. All models are standard 120VAC or 347VAC dual input, field selectable. A dual LED display indicates AC-ON and High charge, and all chargers are complete with a quick test, push-button switch for easy maintenance and testing. Recharge time is 24 hours.

Approvals:  
CSA Certified to C22.2 #141



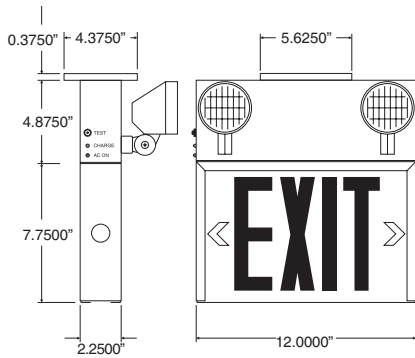
CATALOG NUMBER **4102**

NOT TO BE USED FOR INSTALLATION PURPOSES.

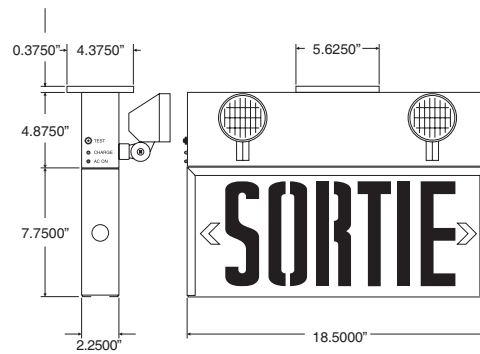
Mircom reserves the right to make changes at any time without notice in prices, colours, materials, components, equipment, specifications and models and also to discontinue models.

## Dimensions

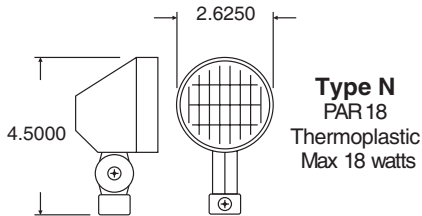
### MCE Series Combination Exit Sign



### MCS Combination Sortie Sign



### Head Type



## Ordering Information

Model Number	Voltage	Wattage Capacities				Face Type	Head Type	Lamp Type		
		30 min.	60 min.	90 min.	120 min.					
<b>MCE Series Combination Exit Signs</b>										
MCE-06036-0-2H9	6	36	18	12	9	Universal	Two PAR18 Small Style Lamp Heads	Two 9 Watt Tungsten Lamps		
MCE-06036HP-0-2H9	6	36	18	12	9					
MCE-06050-0-2H9	6	50	25	16	12					
MCE-12036-0-2H9	12	36	18	12	9					
MCE-12072-0-2H9	12	72	36	24	18					
<b>MCS Series Combination Sortie Signs</b>										
MCS-06036-0-2H9	6	36	18	12	9					
MCS-06036HP-0-2H9	6	36	18	12	9					
MCS-06072-0-2H9	12	72	36	24	18					
MCS-12036-0-2H9	12	36	18	12	9					
MCS-12072-0-2H9	12	72	36	24	18					

NOT TO BE USED FOR INSTALLATION PURPOSES.



**Canada**  
25 Interchange Way  
Vaughan, Ontario L4K 5W3  
Telephone: (905) 660-4655  
Fax: (905) 660-4113

**U.S.A.**  
4575 Witmer Industrial Estates  
Niagara Falls, NY 14305  
Toll Free: (888) 660-4655  
Fax Toll Free: (888) 660-4113

Web page: <http://www.mircom.com> Email: [mail@mircom.com](mailto:mail@mircom.com)

Distributed by:

ISO 9001:2008  
REGISTERED



CAT. 4102  
Rev. 0