


**Features**

- 20 Gauge Steel construction
- 120/347VAC Input, field selectable
- LED Ultra-bright light source
- AC/DC and self-powered models
- White powder coat finish

**Description**

The Mircom MSS Series of commercial, slim line steel signs are designed with a clean, contemporary appearance that is perfectly suited to today's modern interiors. Available in long-life, high brightness LED versions with energy efficient consumption as low as:

|               | VDC  |      | IB   |      |
|---------------|------|------|------|------|
|               | 120V | 347V | 120V | 347V |
| <b>EXIT</b>   | 1.2  | 1.4  | 4.7  | 4.7  |
| <b>SORTIE</b> | 1.4  | 1.5  | 4.0  | 4.0  |

Each sign is designed with a simple slide-out face/backplate for quick and easy installation and all backplates are stamped with a universal mounting pattern. Multiple conduit knockouts and a universal mounting canopy kit complete each model.

The Mircom MSS Series signs are designed with 20 gauge steel construction that wraps and interlocks completely, eliminating annoying light leaks. All faceplates are designed with field removable knock out chevron/arrows. The MSS Series is finished with a durable white baked powder coat finish.

**Circuitry**

All standard LED models are 120/347VAC dual input voltage, available in AC/DC and self-powered models. AC/DC models feature universal emergency backup DC voltages: 6, 12 or 24VDC, each field selectable. Emergency power wattages for EXIT LED models are as follows:

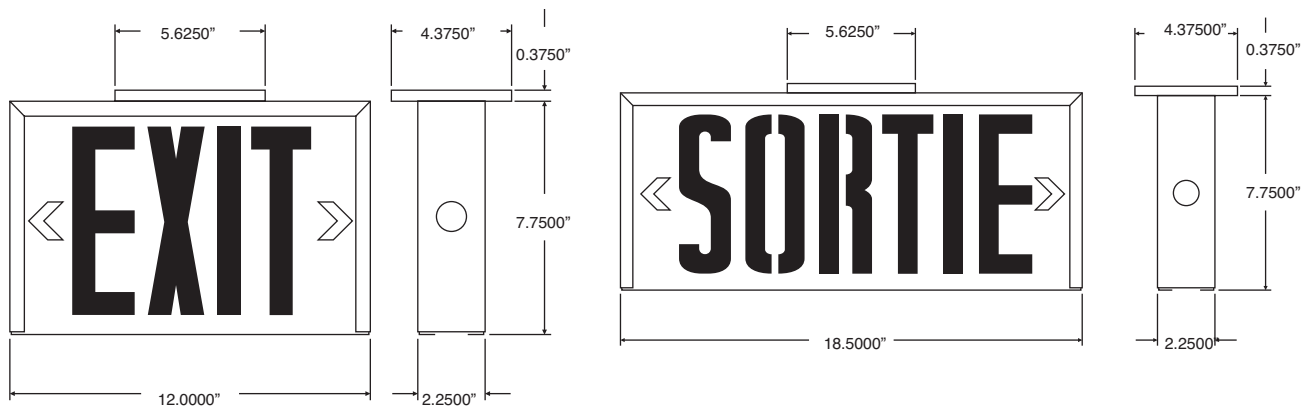
|               | 6V  | 12V | 24V |
|---------------|-----|-----|-----|
| <b>EXIT</b>   | 0.5 | 1.5 | 3.5 |
| <b>SORTIE</b> | 0.5 | 1.5 | 3.5 |

Self-powered models utilize an internal, solid state charger and come complete with a high-performance Ni-Cad battery, supplying 90 minutes of emergency power.

Approvals:  
CSA Certified to C22.2 #141



## Dimensions



## Ordering Information

| Model                   | Description   |
|-------------------------|---|
| <b>MSS EXIT Signs</b>   |   |
| MSS-E-C0WH              | Universal Steel LED Exit Sign, 120/347VAC, 6-24VDC        |
| MSS-E-C0WH-IB           | Universal Steel LED Exit Sign, 120/347VAC, Self-Powered   |
| <b>MSS SORTIE Signs</b> |   |
| MSS-S-C0WH              | Universal Steel LED Sortie Sign, 120/347VAC, 6-24VDC      |
| MSS-S-C0WH-IB           | Universal Steel LED Sortie Sign, 120/347VAC, Self-Powered |

NOT TO BE USED FOR INSTALLATION PURPOSES.



**Canada**  
 25 Interchange Way  
 Vaughan, Ontario L4K 5W3  
 Telephone: (905) 660-4655  
 Fax: (905) 660-4113

**U.S.A.**  
 4575 Witmer Industrial Estates  
 Niagara Falls, NY 14305  
 Toll Free: (888) 660-4655  
 Fax Toll Free: (888) 660-4113

Web page: <http://www.mircom.com> Email: [mail@mircom.com](mailto:mail@mircom.com)

Distributed by:

ISO 9001:2008  
 REGISTERED



CAT. 4105  
 Rev. 0