



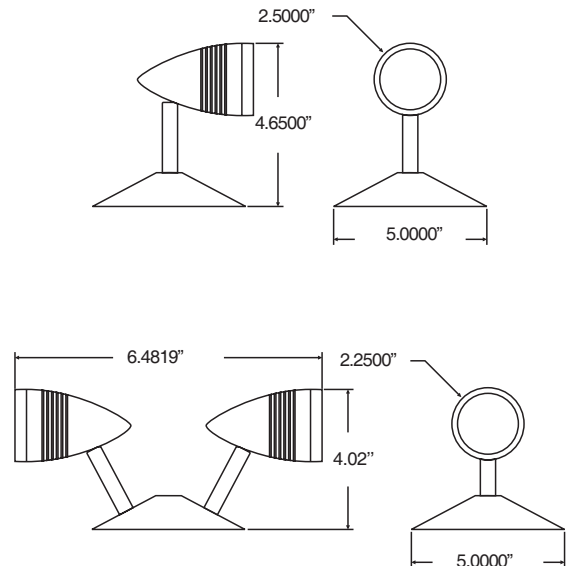
Features

- Die cast, solid metal housing with die cast, twist lock lamp collar
- Complete adjustability - both tilt and swivel
- 5" diameter canopy standard
- Two canopy mounting holes designed to match standard electrical junction boxes
- White paint finish is standard
- MR16 lamp designed with low glare reflector and available in 6V, 12V or 24V

Description

The Mircom MM Series is a decorative die cast metal remote emergency light which uses powerful MR16 lamps with glass cover. This series is available in single, double, triple or quad head and is made for use with 6, 12 or 24V emergency lighting systems. The MM series features fully adjustable locking swivels and rotary collar. No tools are needed for lamp aiming or replacement, which makes for easy installation and maintenance. The 5" canopy mounts directly to a standard octagon box (not supplied). Standard finish is white.

Dimensions



Approvals:
CSA Certified to C22.2 #141



CATALOG NUMBER 4112

NOT TO BE USED FOR INSTALLATION PURPOSES.

Mircom reserves the right to make changes at any time without notice in prices, colours, materials, components, equipment, specifications and models and also to discontinue models.

Ordering Guide

Series	Number of Heads	Voltage	Lamp Watts	Lamp Type
MM	1 - Single MR16 Head 2 - Double MR16 Head	06 - 6VDC	08, 10, 12, 20, 35, 50	Q -Quartz halogen
		12 - 12 VDC	08, 10, 12, 20, 35, 50	Q -Quartz halogen
			4W, 5.7W	L -LED
		24 - 24 VDC	08, 10, 12, 20, 35, 50	Q -Quartz halogen
			4W	L -LED

NOT TO BE USED FOR INSTALLATION PURPOSES.



Canada
25 Interchange Way
Vaughan, Ontario L4K 5W3
Telephone: (905) 660-4655
Fax: (905) 660-4113

U.S.A.
4575 Witmer Industrial Estates
Niagara Falls, NY 14305
Toll Free: (888) 660-4655
Fax Toll Free: (888) 660-4113

Web page: <http://www.mircom.com> Email: mail@mircom.com

Distributed by:

ISO 9001:2008
REGISTERED



CAT. 4112
Rev. 0