



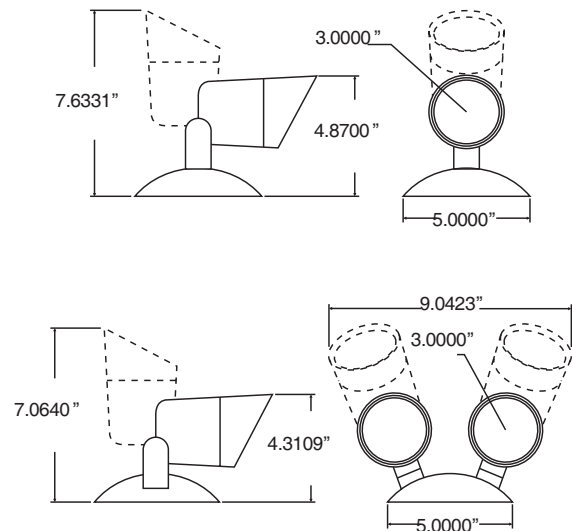
### Features

- Die cast, solid aluminum housing
- Die cast, gasketed lamp collar with screw lock
- Fully adjustable - both tilt and swivel
- 5" diameter die cast aluminum canopy standard
- Canopy mounting holes designed to match standard electrical junction boxes
- Grey colour is standard
- MR16 lamp designed with low glare reflector and available in 6V, 12V or 24V

### Description

The MDC Series by Mircom is a fully enclosed die-cast remote emergency light. The gasket seal, ensures that this series will be the perfect choice in an industrial application where water or other contaminants can affect the condition of the unit. The MR16 lamps provide maximum lighting protection in case of power failure. The series is available in single or double heads. The 5" canopy mounts directly to a standard octagon box (not supplied). Standard finish is grey.

### Dimensions



Approvals:  
CSA Certified to C22.2 #141



**CATALOG NUMBER 4114**

NOT TO BE USED FOR INSTALLATION PURPOSES.

Mircom reserves the right to make changes at any time without notice in prices, colours, materials, components, equipment, specifications and models and also to discontinue models.

## Ordering Guide

Series	Number of Heads	Voltage	Lamp Watts	Lamp Type
MDC	1 - Single MR16 Head 2 - Double MR16 Head	06 - 6VDC	08, 10, 12, 20, 35, 50	Q -Quartz halogen
		12 - 12 VDC	08, 10, 12, 20, 35, 50	Q -Quartz halogen
		24 - 24 VDC	08, 10, 12, 20, 35, 50	Q -Quartz halogen

NOT TO BE USED FOR INSTALLATION PURPOSES.



**Canada**  
25 Interchange Way  
Vaughan, Ontario L4K 5W3  
Telephone: (905) 660-4655  
Fax: (905) 660-4113

**U.S.A.**  
4575 Witmer Industrial Estates  
Niagara Falls, NY 14305  
Toll Free: (888) 660-4655  
Fax Toll Free: (888) 660-4113

Web page: <http://www.mircom.com> Email: [mail@mircom.com](mailto:mail@mircom.com)

Distributed by:

ISO 9001:2008  
REGISTERED



CAT. 4114  
Rev. 0