



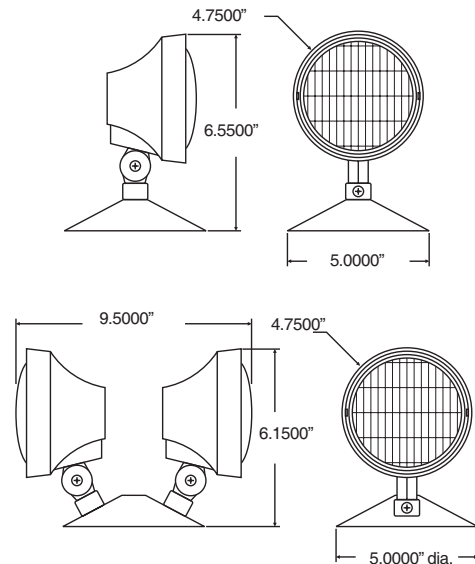
Features

- UV stabilized, high impact thermoplastic construction
- Fully adjustable - both tilt and swivel
- 5" diameter die cast aluminum canopy standard
- Canopy mounting holes designed to match standard electrical junction boxes
- Black colour is standard
- Variety of lamp options:
 - 6VDC, 12VDC or 24VDC
 - Tungsten lamps
 - Quartz halogen lamps

Description

The MW Series of weatherproof thermoplastic remote heads from Mircom are designed for damp or exposed locations. The heads are fully adjustable with locking tilt and swivel. Available with tungsten or quartz lamps up to 55W, these remotes are designed for use with 6, 12 or 24V emergency lighting circuits. The 5" canopy mounts directly to a standard electrical box (not supplied). Standard finish is black.

Dimensions



Approvals:
CSA Certified to C22.2 #141



CATALOG NUMBER 4117

NOT TO BE USED FOR INSTALLATION PURPOSES.

Mircom reserves the right to make changes at any time without notice in prices, colours, materials, components, equipment, specifications and models and also to discontinue models.

Ordering Guide



Series	Number of Heads	Voltage	Lamp Watts	Lamp Type
MW	1 - Single PAR 36 Head 2 - Double PAR 36 Head	06 - 6VDC	09, 18	T- Tungsten
			08, 12, 20	Q -Quartz halogen
		12 - 12 VDC	09, 18	T- Tungsten
			08, 12, 20, 55	Q -Quartz halogen
		24 - 24 VDC	09, 18, 25	T- Tungsten
			20, 70	Q -Quartz halogen

NOT TO BE USED FOR INSTALLATION PURPOSES.



Canada
25 Interchange Way
Vaughan, Ontario L4K 5W3
Telephone: (905) 660-4655
Fax: (905) 660-4113

U.S.A.
4575 Witmer Industrial Estates
Niagara Falls, NY 14305
Toll Free: (888) 660-4655
Fax Toll Free: (888) 660-4113

Web page: <http://www.mircom.com> Email: mail@mircom.com

Distributed by:

ISO 9001:2008
REGISTERED



CAT. 4117
Rev. 0