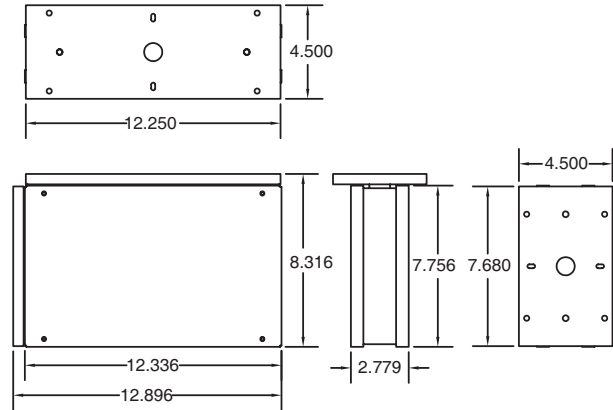




Dimensions



Description

The Mircom MRV Series of vandal resistant signs was designed to withstand the kind of abuse that a regular sign could not. In applications such as schools, institutional buildings and apartment complexes. This series will continue to frustrate the efforts of even the most violent vandals. Supplied standard with long-life, high brightness LEDs the MRV are energy efficient with energy consumption as low as just 0.9W AC. Each sign is designed with multiple vandal resistant features to help protect them against intentional damage.

Features

The Mircom MRV Series is designed around a 16 gauge steel frame. The frame forms a solid housing for all electronics. The face(s) are then covered with a high impact, polycarbonate shield. The faceplate and shield assembly is held in place with a 16 gauge steel collar that wraps completely around the sign frame. The entire assembly is then secured together using stainless steel tamperproof screws. A full length, heavy-duty steel canopy is factory installed for ceiling or end mount versions. Standard colour is white.

Circuitry

The MRV series of vandal resistant signs utilize a 120/347VAC dual input voltage LED light source, available in AC only, AC/DC and selfpowered models. AC/DC models feature universal emergency backup DC voltages: 6, 12 or 24VDC, each field selectable. Self-powered models utilize an internal, solid state charger and come complete with a high-performance Ni-Cad battery, supplying 90 minutes of emergency power.



Comes standard with three pictogram legends for direction selection.

Approvals:
CSA Certified to C22.2 #141
and C860



CATALOG NUMBER 4119

NOT TO BE USED FOR INSTALLATION PURPOSES.

Mircom reserves the right to make changes at any time without notice in prices, colours, materials, components, equipment, specifications and models and also to discontinue models.

Ordering Information

Model	Power Wattages							Face Type	Colour	DC Output
	VDC					IB				
	6V	12V	24V	120V	347V	120V	347V			
MRV-1WH-UDC	0.9	0.9	0.9	2	1.9	1.8	1.7	Single Face	White	DC backup voltage (6 to 24VDC)
MRV-1WH-IB	0.9	0.9	0.9	2	1.9	1.8	1.7	Single Face	White	Self-powered for 90 minutes
MRV-2WH-UDC	0.9	0.9	0.9	2	1.9	1.8	1.7	Double Face	White	DC backup voltage (6 to 24VDC)
MRV-2WH-IB	0.9	0.9	0.9	2	1.9	1.8	1.7	Double Face	White	Self-powered for 90 minutes

NOT TO BE USED FOR INSTALLATION PURPOSES.



Canada
 25 Interchange Way
 Vaughan, Ontario L4K 5W3
 Telephone: (905) 660-4655
 Fax: (905) 660-4113

U.S.A.
 4575 Witmer Industrial Estates
 Niagara Falls, NY 14305
 Toll Free: (888) 660-4655
 Fax Toll Free: (888) 660-4113

Web page: <http://www.mircom.com> Email: mail@mircom.com

Distributed by:

ISO 9001:2008
 REGISTERED



CAT. 4119
 Rev. 0