

LED EMERGENCY EXIT SIGN (GREEN)

EL-7007GX-220



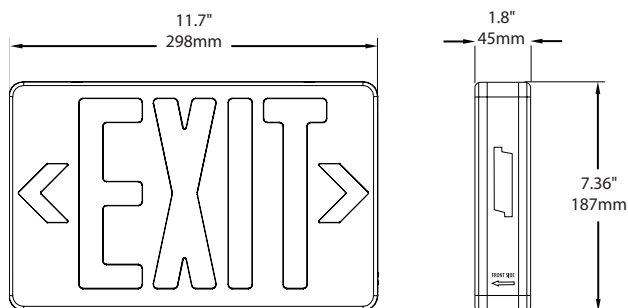
Features

Input Power on AC	1W
Output Power on Battery	1W
Lamp Type	Straw LED
Input Voltage	220-240 VAC
Frequency	50 Hz
Battery Type	Ni-cd
Working Time	180 Minutes
Charging Time	24 Hours

Description

- Injection-molded thermoplastic ABS housing
- UL 924 Compliant
- 1-Sided sign
- Wall, side and ceiling mountable
- Input Voltage: 220-240 VAC 50Hz
- Super bright SMD LED
- Nickel Cadmium Battery, 3.6V 600mAh
- Test switch and charge indicator light
- Overcharge & Over-discharge protection
- Backup time: ≥ 180 minutes
- Conversion time: < 0.2 second
- IP Class: IP20
- Operating Temperature: 0 °C ~ 40 °C / 32 °F ~ 104 °F
- Removable Chevrons

Technical Drawing



Ordering Information

Model	Description
EL-7007GX-220	LED Emergency Exit Sign - Green, 220-240 VAC, 12 per case



Canada

25 Interchange Way Vaughan, ON L4K 5W3
Telephone: (905) 660-4655 | Fax: (905) 660-4113

U.S.A.

4575 Witmer Industrial Estates Niagara Falls, NY 14305
Toll Free: (888) 660-4655 | Fax Toll Free: (888) 660-4113

This document is provided by Mircom Technologies Ltd., MGC Systems Corp., or their affiliates, subsidiaries and brands, for convenience or marketing only and does not describe products or services technically. For technical information refer to technical manuals. We do not make representations or warranties regarding this information, including as to completeness or accuracy. We may change these contents at any time and reserve all rights in the contents, including copyrights, trademarks and other intellectual property. All other trademarks and registered trademarks are properties of their respective owners.