



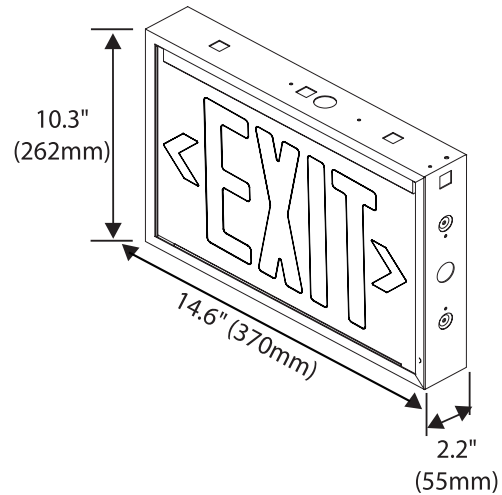
Features

Power on AC	4/5.5W
Output Power on Battery	1W
Input Voltage	120/277 VAC
Frequency	50/60 Hz
LED Type	Plug-in LED Strip
Battery Type	Ni-cd
Working Time	90 Minutes
Charging Time	24 Hours

Description

- 20 gauge steel housing in white finish
- UL 924 Compliant and New York City Approved
- 2-sided sign
- Wall, side or ceiling mountable
- Input Voltage: 120/277 VAC, 50/60Hz
- Super bright LED Strip
- Nickel Cadmium Battery 3.6V 600mAh
- Test switch and charge indicator light
- Overcharge & Over-discharge protection
- Backup time: 90 minutes
- Conversion time: <0.2 second
- IP Class: IP20
- Operating Temperature: 41 °F ~ 95 °F (5 °C ~ 35 °C)
- 8" high letters with 1" stroke
- 100ft viewing distance
- Removable chevrons

Technical Drawing



**NEW YORK CITY
APPROVED**



Ordering Information

Model	Description
EL-7007RX-NYC	LED Emergency Exit Sign – New York City Approved, 5 per case



Canada
25 Interchange Way Vaughan, ON L4K 5W3
Telephone: (905) 660-4655 | Fax: (905) 660-4113

U.S.A.
4575 Witmer Industrial Estates Niagara Falls, NY 14305
Toll Free: (888) 660-4655 | Fax Toll Free: (888) 660-4113

www.mircom.com

This document is provided by Mircom Technologies Ltd., MGC Systems Corp., or their affiliates, subsidiaries and brands, for convenience or marketing only and does not describe products or services technically. For technical information refer to technical manuals. We do not make representations or warranties regarding this information, including as to completeness or accuracy. We may change these contents at any time and reserve all rights in the contents, including copyrights, trademarks and other intellectual property. All other trademarks and registered trademarks are properties of their respective owners.

CATALOG NUMBER 4146

Rev. 1