



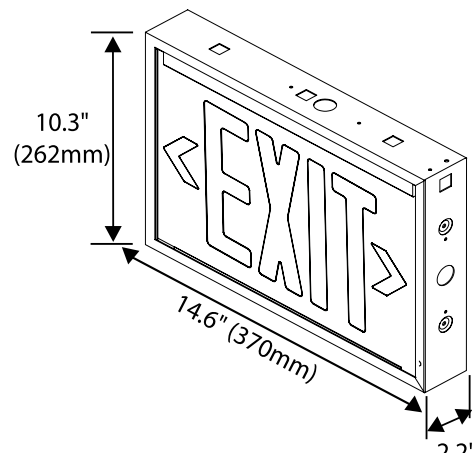
### Features

Power on AC	4/5.5W
Output Power on Battery	1W
Input Voltage	120/277 VAC
Frequency	50/60 Hz
LED Type	Plug-in LED Strip
Battery Type	Ni-cd
Working Time	90 Minutes
Charging Time	24 Hours

### Description

- 20 gauge steel housing in white finish
- 2-sided sign
- Wall, side or ceiling mountable
- Input Voltage: 120/277 VAC, 50/60Hz
- Super bright LED Strip
- Nickel Cadmium Battery 3.6V 600mAh
- Test switch and charge indicator light
- Overcharge & Over-discharge protection
- Backup time: 90 minutes
- Conversion time: <0.2 second
- IP Class: IP20
- Operating Temperature: 41 °F ~ 95 °F (5 °C ~ 35 °C)
- UL and New York City Approved
- 8" high letters with 1" stroke
- 100ft viewing distance
- Meets UL924 standards
- Removable chevrons

### Technical Drawing



**NEW YORK CITY  
APPROVED**



### Ordering Information

Model	Description
EL-7007RX-NYC	LED Emergency Exit Sign – New York City Approved

#### Canada

25 Interchange Way Vaughan, ON L4K 5W3  
Telephone: (905) 660-4655 | Fax: (905) 660-4113

#### U.S.A.

4575 Witmer Industrial Estates Niagara Falls, NY 14305  
Toll Free: (888) 660-4655 | Fax Toll Free: (888) 660-4113

www.mircom.com



**THIS INFORMATION IS FOR MARKETING PURPOSES ONLY AND NOT INTENDED TO DESCRIBE THE PRODUCTS TECHNICALLY.**

For complete and accurate technical information relating to performance, installation, testing and certification, refer to technical literature. This document contains intellectual property of Mircom. The information is subject to change by Mircom without notice. Mircom does not represent or warrant correctness or completeness. All rights reserved. All other trademarks and registered trademarks are properties of their respective owners.

**CATALOG NUMBER 4146**

Rev. 0