



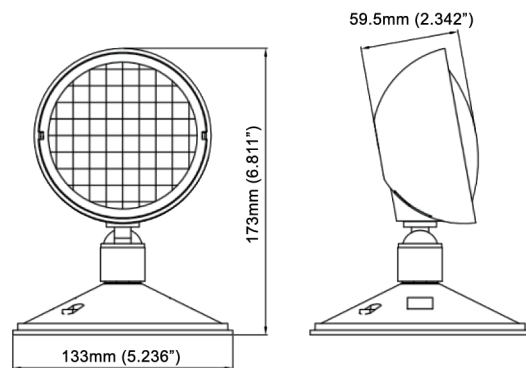
Features

Power (W)	3W
Lamp Type	SMD LED
Input Voltage	3.6V - 24VDC
IP Class	IP65
Lumens	200

Description

- Suitable for use in wet locations
- Manufactured with extra seals and gaskets
- High impact thermoplastic housing
- Clear polycarbonate lens for bright illumination
- UL 924 Compliant
- Wall and ceiling mounting
- Universal voltage LED remote compatible with any emergency lighting system (3.6-24 VDC)
- Reverse polarity protection
- Super bright 3W SMD LED
- IP Class: IP65
- Operating temperature: 0° C ~ 40 °C / 32 °F ~ 104 °F

Technical Drawing



Suitable for:

- ELRM-180-2RC
- ELRM-180-18RCS
- EL-180-18RCS
- EL-7061S
- EL-7062S
- EL-7064S
- EL-7066S

Ordering Information

Model	Description
EL-7030AWP	Weather Protected Single LED Remote Head (Universal Voltage), 20 per case

