



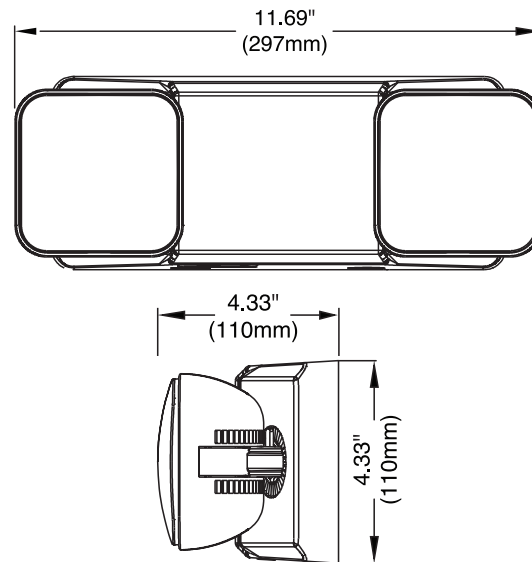
Features

Power on AC	2.5W
Lamp Type	2x1.2W LED
Input Voltage	120-347 VAC
Frequency	50/60Hz
Battery Type	Ni-cd
LED Type	SMD LED
Working Time	180 Minutes
Charging Time	24 Hours

Description

- Injection-molded thermoplastic ABS housing
- UL 924 Compliant
- Wall and ceiling mountable
- Input Voltage: 120-347 VAC 50/60Hz
- 2x1.2W Lamps for Emergency Mode
- Super bright SMD LED - 100 Lumens per lamp head
- Nickel Cadmium Battery 3.6V 1800mAh
- Test switch and charge indicator light
- Overcharge & Over-discharge protection
- Backup time: 180 minutes
- Conversion time: <0.2 second
- IP Class: IP20
- Insulation: II
- Operating Temperature: 0 °C ~ 40 °C / 32 °F ~104 °F

Technical Drawing



Ordering Information

Model	Description
EL-7006	Emergency Light (Twin Square), 10 per case



Canada
 25 Interchange Way Vaughan, ON L4K 5W3
 Telephone: (905) 660-4655 | Fax: (905) 660-4113

U.S.A.
 4575 Witmer Industrial Estates Niagara Falls, NY 14305
 Toll Free: (888) 660-4655 | Fax Toll Free: (888) 660-4113

www.mircom.com

This document is provided by Mircom Technologies Ltd., MGC Systems Corp., or their affiliates, subsidiaries and brands, for convenience or marketing only and does not describe products or services technically. For technical information refer to technical manuals. We do not make representations or warranties regarding this information, including as to completeness or accuracy. We may change these contents at any time and reserve all rights in the contents, including copyrights, trademarks and other intellectual property. All other trademarks and registered trademarks are properties of their respective owners.

CATALOG NUMBER 4153

Rev. 1