



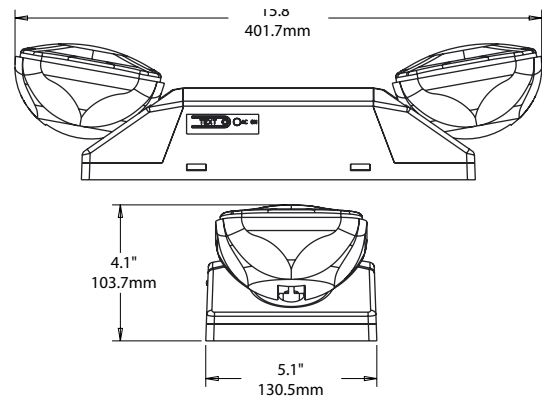
**Features**

Input Power on AC (when charging)	5.3W
Input Power on AC (when fully charged)	1.5W
Lamp Type	2x2W LED
Input Voltage	120/347 VAC
Frequency	60 Hz
LED Type	SMD LED
Battery Type	Sealed Lead Acid
Working Time	30 Minutes at 28W
Charging Time	24 Hours

**Description**

- Injection-molded thermoplastic ABS housing
- UL-94-V-0 flame rating, fire-retardant
- Wall Mountable
- Switchable input voltage 120/347 VAC
- Optional 120V line cord/AC plug included
- 2x2W lamps for emergency mode, 113.5 lumens each
- Sealed lead acid battery 6V5Ah
- Test switch and charge indicator light
- Overcharge & Over-Discharge protection
- Backup time: 30 Minutes at 28W
- Remote Capability: Up to 24W of additional remotes for 30 minutes, 7W for 90 minutes
- Conversion time: <0.2 second
- IP Class: IP20
- Insulation: II, 80m2/860sq ft
- Operating Temperature: 0 °C ~ 40 °C / 32 °F ~ 104 °F

**Technical Drawing**



**Remote Add-ons**



EL-7030A (1.5W)



EL-7030B (3W)



**Ordering Information**

Model	Description
EL-7006-RC	Emergency Light (Remote Capable)

**Canada**

25 Interchange Way Vaughan, ON L4K 5W3  
 Telephone: (905) 660-4655 | Fax: (905) 660-4113

**U.S.A.**

4575 Witmer Industrial Estates Niagara Falls, NY 14305  
 Toll Free: (888) 660-4655 | Fax Toll Free: (888) 660-4113

www.mircom.com



**THIS INFORMATION IS FOR MARKETING PURPOSES ONLY AND NOT INTENDED TO DESCRIBE THE PRODUCTS TECHNICALLY.**

For complete and accurate technical information relating to performance, installation, testing and certification, refer to technical literature. This document contains intellectual property of Mircom. The information is subject to change by Mircom without notice. Mircom does not represent or warrant correctness or completeness. All rights reserved. All other trademarks and registered trademarks are properties of their respective owners.