



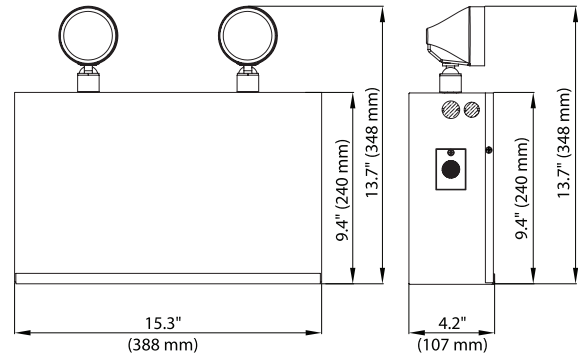
Features

Power on AC	18W-21W
Lamp Type	2x 2W LED
Input Voltage	120/347 VAC
Frequency	50/60 Hz
Battery Type	Sealed Lead Acid
Working Time	30 Minutes at 275W
Charging Time	45 Hours

Description

- Durable steel housing
- UL 924 Compliant
- Wall mountable with optional line cord included
- Input voltage: 120/347VAC 50/60Hz
- LED technology
- Two 12V12Ah sealed lead acid batteries in series (24V)
- Backup time on battery: 30 minutes at 275W
4W from attached heads + up to additional 271W
Total calculated wattage at 120 minutes: 96W
Total calculated wattage at 180 minutes: 56W
- Test switch and charge indicator light
- Overcharge & over-discharge protection
- Suitable for damp locations
- Operating temperature: 15 °C ~ 35 °C / 59 °F ~ 95 °F

Technical Drawing



Remote Add-ons

Unit comes with two attached 2W remote heads. You can add on up to 271W of additional remotes for 30 minutes comprised of one or a combination of the following:



Ordering Information

Model	Description
EL-7064S	Emergency Battery Backup Unit - Steel (275W Remote Capable), packed 1/case/14.5kg