



## Features

Input Power on AC	3-4W
Output Power on Battery	1W
Lamp Type	LED
Input Voltage	120-347 VAC
Frequency	50/60 Hz
LED Type	LED Strip
Battery Type	Ni-cd
Working Time	180 Minutes
Charging Time	24 hours

## Description

- Durable aluminum housing
- UL 924 Compliant
- 2-sided sign
- Wall and ceiling mountable
- Input Voltage: 120 - 347VAC 50/60Hz
- LED technology
- 3.6 V 1000mAh Nickel Cadmium Battery
- Test switch and charge indicator light
- Overcharge & Over-discharge protection
- Backup time: 180 minutes
- Suitable for damp locations
- Operating Temperature: 5 °C ~ 30 °C / 41 °F ~ 86 °F

## Included Pictograms

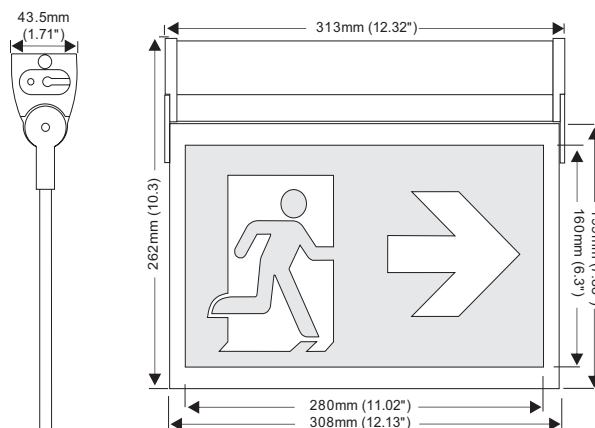


With Arrow 2pcs



Without Arrow 1 pc

## Technical Drawing



## Ordering Information

Model	Description
EL-7008MA	Aluminum LED Edge-Lit Running Man Sign, 8 per case



### Canada

25 Interchange Way Vaughan, ON L4K 5W3  
Telephone: (905) 660-4655 | Fax: (905) 660-4113

### U.S.A.

4575 Witmer Industrial Estates Niagara Falls, NY 14305  
Toll Free: (888) 660-4655 | Fax Toll Free: (888) 660-4113

This document is provided by Mircom Technologies Ltd., MGC Systems Corp., or their affiliates, subsidiaries and brands, for convenience or marketing only and does not describe products or services technically. For technical information refer to technical manuals. We do not make representations or warranties regarding this information, including as to completeness or accuracy. We may change these contents at any time and reserve all rights in the contents, including copyrights, trademarks and other intellectual property. All other trademarks and registered trademarks are properties of their respective owners.