



## Features

Input Power on AC	3-4W
Output Power on Battery	1W
Lamp Type	LED
Input Voltage	120-347 VAC
Frequency	50/60 Hz
LED Type	LED Strip
Battery Type	Ni-cd
Working Time	180 Minutes
Charging Time	24 hours

## Description

- Durable aluminum housing
- 2-sided sign
- Wall and ceiling mountable
- Input Voltage: 120 - 347VAC 50/60Hz
- LED technology
- 3.6 V 1000mAh Nickel Cadmium Battery
- Test switch and charge indicator light
- Overcharge & Over-discharge protection
- Backup time: 180 minutes
- Suitable for damp locations
- Operating Temperature: 5 °C ~ 30 °C / 41 °F ~ 86 °F

## Included Pictograms

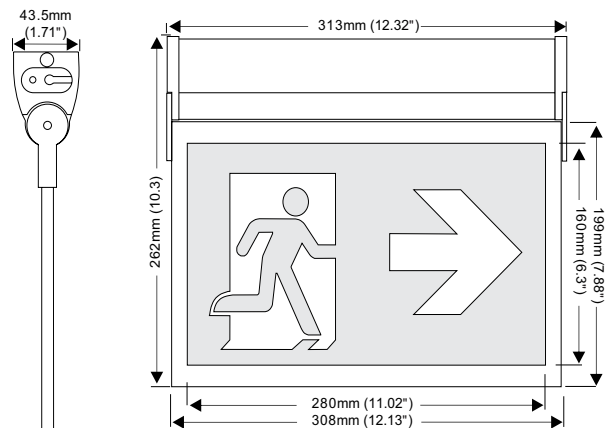


With Arrow 2pcs



Without Arrow 1 pc

## Technical Drawing



## Ordering Information

Model	Description
EL-7008MA	Aluminum LED Edge-Lit Running Man Sign



### Canada

25 Interchange Way Vaughan, ON L4K 5W3  
Telephone: (905) 660-4655 | Fax: (905) 660-4113

### U.S.A.

4575 Witmer Industrial Estates Niagara Falls, NY 14305  
Toll Free: (888) 660-4655 | Fax Toll Free: (888) 660-4113



**THIS INFORMATION IS FOR MARKETING PURPOSES ONLY AND NOT INTENDED TO DESCRIBE THE PRODUCTS TECHNICALLY.**

For complete and accurate technical information relating to performance, installation, testing and certification, refer to technical literature. This document contains intellectual property of Mircom. The information is subject to change by Mircom without notice. Mircom does not represent or warrant correctness or completeness. All rights reserved. All other trademarks and registered trademarks are properties of their respective owners.