



Description

Mircom's MPS-800(U) Series Fire Alarm Manual Pull Stations provide manual fire alarm activation. The new MPS-800 Series uses raised symbols and icons instead of printed text that makes them universally recognized.

These conventional pull stations are available as single stage dual action.

The MPS-800(U) manual stations are constructed of high quality polycarbonate resin thermoplastic "LEXAN" that supports high temperatures without deforming. The temperature range is from -40°C to 66°C.

The MPS-800(U) conventional pull stations are accessible from the front for wiring while mounted making it easy to install. These pull stations can be mounted on a single gang backbox and the mounting holes permit easy alignment to the wall.

The suffix "U" indicates USA version.

All manual fire alarm stations shall be installed as per the specific requirements outlined in the UL/ULC codes, as well as all other applicable national or local codes.

Features

- Completely made of LEXAN material
- Closed-fist operation (ADA – Americans with Disability Act)
- No printed text on the devices, symbols and icons are used instead
- Symbols are raised to be easily recognized by touch
- Easy installation
- Accessible from the front for wiring while mounted
- Mounts on a single gang backbox
- Temperature range from -40°C to 66°C / -40°F to 151°F
- UL and ULC listed
- Device comes with a reset key
- Indoor/Outdoor use

Operation

Activating the Alarm

- Push in the push bar
- Pull down the pull handle

Resetting the manual station

- Insert the key into the reset keyhole and turn it.
- Pull the cover open. The switch is now reset.
- Close and lock the stations with the reset key.
- Reset the Fire Alarm Control Panel to reset the alarm.

Note: Resetting the station does not cancel the alarm at the panel

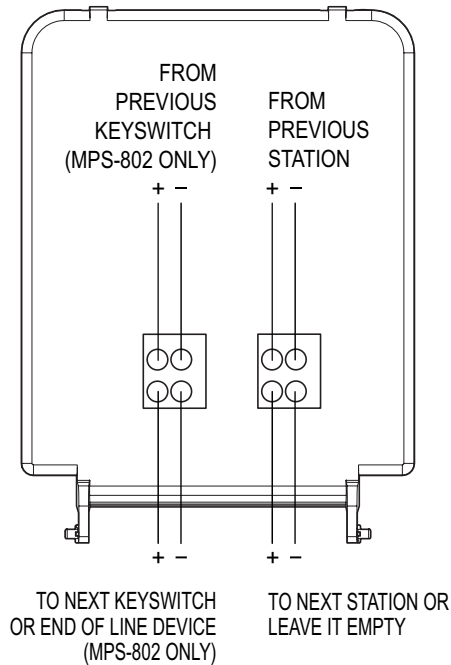


Specifications

Electrical Rating: 1Amp @ 30 VDC

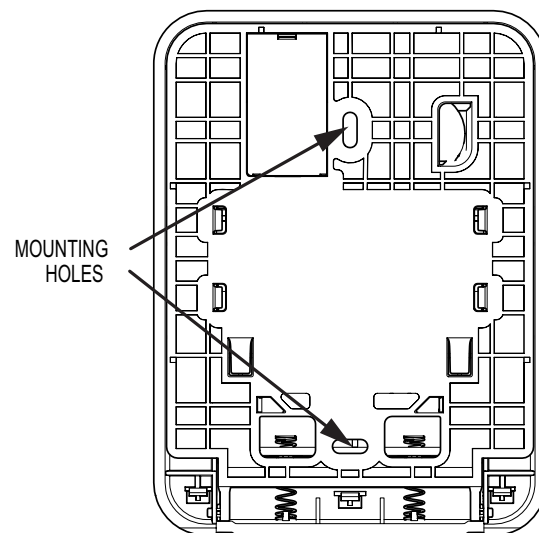
Manual Pull Station Dimensions: 5 1/2" H x 4 1/8" W x 1 3/8" D

Wiring Diagram



Mounting Diagram

- Flush mount indoor: Single-gang electrical box
- Flush mount outdoor: Single-gang electrical box with STI-1250
- Surface mount indoor: BB-800 backbox with or without STI-1230 (Deep cover without gasket)
- Surface mount outdoor: BB-800 backbox with STI-3150 (Deep Cover with Gasket)



Ordering Information

Model	Description
MPS-810	1 Stage Conventional Double Action Pull Station, ULC
MPS-810U	1 Stage Conventional Double Action Pull Station, UL
BB-800	Surface Backbox for 800 Series Manual Station



Canada

25 Interchange Way Vaughan, ON L4K 5W3
Telephone: (905) 660-4655 | Fax: (905) 660-4113

U.S.A.

4575 Witmer Industrial Estates Niagara Falls, NY 14305
Toll Free: (888) 660-4655 | Fax Toll Free: (888) 660-4113

www.mircom.com



THIS INFORMATION IS FOR MARKETING PURPOSES ONLY AND NOT INTENDED TO DESCRIBE THE PRODUCTS TECHNICALLY.

For complete and accurate technical information relating to performance, installation, testing and certification, refer to technical literature. This document contains intellectual property of Mircom. The information is subject to change by Mircom without notice. Mircom does not represent or warrant correctness or completeness. All rights reserved. All other trademarks and registered trademarks are properties of their respective owners.

CAT. 5100

Rev. 1