



### Features

- Durable Extruded Aluminium Construction
- Attractive, Low Profile Design
- Standard Single Gang Mount
- Easy Test & Reset Capability
- Converts to Double Action
- Glass Rod Optional

### Description

Attractive and durable, Mircom's MS-403 & MS-404 Emergency Manual Stations provide manual emergency reporting. The MS-403 and MS-404 Emergency Manual Stations are non-coded, single action devices which initiate both a N.O. and N.C. contact when pulled. Operating instructions shall be in English and French lettering and the unit shall be constructed of extruded aluminium and finished in bright enamel paint to provide quick identification.

Mircom's model MS-403 Manual Station is finished in enamel Blue and the MS-404 Manual Station is finished in enamel Yellow. An abrasion resistant label with large, raised letters provides clear legible instructions. On custom orders, manual stations can be easily converted from single action to double action station by the addition of the MS-DA double action lever kit.

### Operation

Pulling on the station's handle will release the internal switches to control or release any peripheral device. Both manual stations contain one Normally Closed (N.C.) switch and one Normally Open (N.O.) switch when in the closed position.

Resetting is accomplished by inserting a 1/8" screwdriver from the front. The handle, once pulled will remain open and cannot be reset without utilizing the screwdriver.

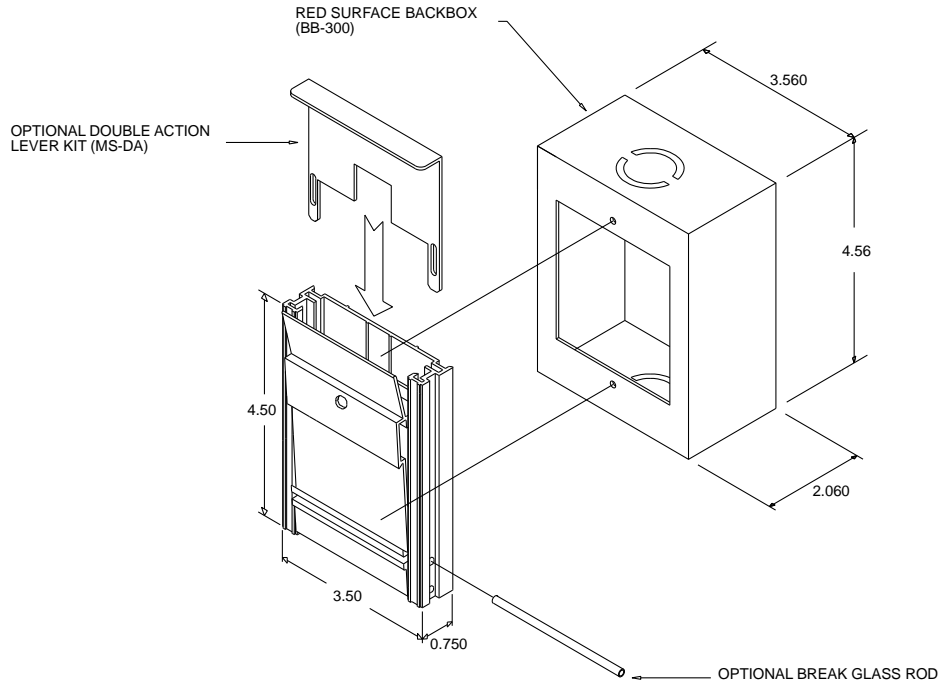
All manual stations shall be installed as per the specific requirements outlined in the ULC codes, as well as all other applicable national and local codes.

### Specifications

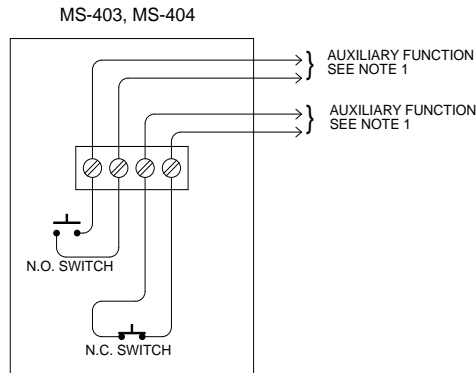
The Emergency Manual Station shall be Mircom's MS-400 Series. Operating instructions shall be in raised English and French lettering and the unit shall be constructed of extruded aluminium, finished in either Blue (MS-403) or Yellow (MS-404) enamel paint to provide quick identification. Pulling the handle shall initiate immediate operation of the peripheral(s) connected.



## Dimensions



## Wiring Diagram



NOTES:

1. OTHER SWITCH CONFIGURATION OPTIONALLY AVAILABLE.
2. MOUNT STATION TO 2" X 4" X 2 1/4" OUTLET BOX.
3. SWITCH RATING: ALL MODELS 1A @ 30 VDC, 0.1a @ 120 VAC
4. MAXIMUM WIRE SIZE: No. 12 AWG

## Ordering Information

Model	Description
MS-403	Single Action, Blue Manual Station
MS-404	Single Action, Yellow Manual Station
MS-DA	Double Action Lever Kit (converts any of the above to double action stations)

**Note:** MS-DA available standard in RED colour only. Other colours available in quantities of 50 pieces or more.

NOT TO BE USED FOR INSTALLATION PURPOSES.



**Canada**

25 Interchange Way  
Vaughan, Ontario L4K 5W3  
Telephone: (905) 660-4655  
Fax: (905) 660-4113

**U.S.A.**

4575 Witmer Industrial Estates  
Niagara Falls, NY 14305  
Toll Free: (888) 660-4655  
Fax Toll Free: (888) 660-4113

Distributed by:

Web page: <http://www.mircom.com> Email: [mail@mircom.com](mailto:mail@mircom.com)

ISO 9001:2008  
REGISTERED

CAT. 5103  
Rev. 7