



Operation

The Killark XAL-53 Explosion-Proof Fire Alarm Station is activated by lifting the front cover and pulling down the ring. This quick, easy-to-use two-step process prevents unintentional operation. The unit is reset by depressing the shaft and returning the plate to the original position.

Applications

- Hazardous areas due to the presence of flammable gases or vapors, combustible dusts or easily ignitable fibers or flyings
- Installation at petroleum refineries, chemical and petrochemical plants, storage areas, and other processing facilities where hazardous substances are handled and stored
- Areas where emergency control of fire alarm or signal circuits is required.

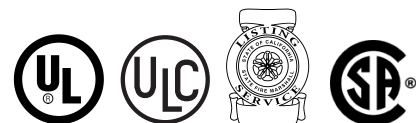
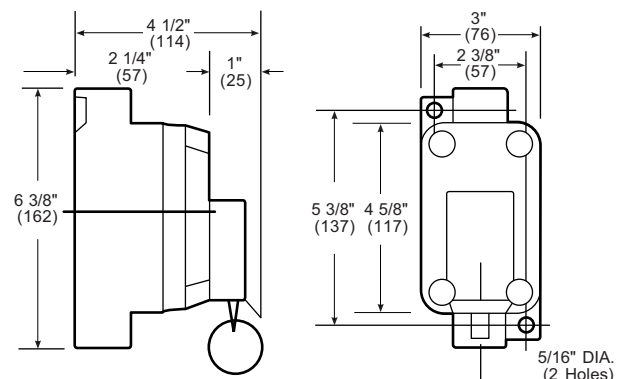
Features

- Enclosure is made of copper free aluminum alloy
- Conduit openings are 3/4" NPT feed through
- Red, textured powder epoxy paint finish is standard on box and cover and provides high visibility for alarm station
- Bilingual nameplates included per CSA requirement
- Internal ground screw is standard

Hazardous Area Classifications

- Class I, Division 1 and 2, Group C and D.
- Class I, Zones 1 & 2, Groups IIB, IIA
- Class II, Division 1 and 2, Group E, F, and G.
- Class III
- NEMA 7 (C,D) 9 (E,F,G).

Dimensions



Contact Block Rating

AC						DC		
Volts	Make Amperes	VA	Break Amperes	VA	Continuous Carrying Amperes	Volts	Make Break	Continuous Carrying Amperes
120	60	7200	6	720	10	125	1.1	2.5
240	30	7200	3	720	10	250	0.55	2.5
480	15	7200	1.5	720	10	600	0.2	2.5
600	12	7200	1.2	720	10	—	—	—

Ordering Information

Model	Description
XAL-53	Explosion-Proof Manual Fire Alarm Station

NOT TO BE USED FOR INSTALLATION PURPOSES.



Canada
 25 Interchange Way
 Vaughan, Ontario L4K 5W3
 Telephone: (905) 660-4655
 Fax: (905) 660-4113

U.S.A.
 4575 Witmer Industrial Estates
 Niagara Falls, NY 14305
 Toll Free: (888) 660-4655
 Fax Toll Free: (888) 660-4113

Web page: <http://www.mircom.com> Email: mail@mircom.com

Distributed by:

ISO 9001:2008
 REGISTERED



CAT. 5124
 Rev. 5