



Operation

The Killark XAL-53 Explosion-Proof Fire Alarm Station is activated by lifting the front cover and pulling down the ring. This quick, easy-to-use two-step process prevents unintentional operation. The unit is reset by depressing the shaft and returning the plate to the original position.

Applications

- Hazardous areas due to the presence of flammable gases or vapors, combustible dusts or easily ignitable fibers or flyings
- Installation at petroleum refineries, chemical and petrochemical plants, storage areas, and other processing facilities where hazardous substances are handled and stored
- Areas where emergency control of fire alarm or signal circuits is required.

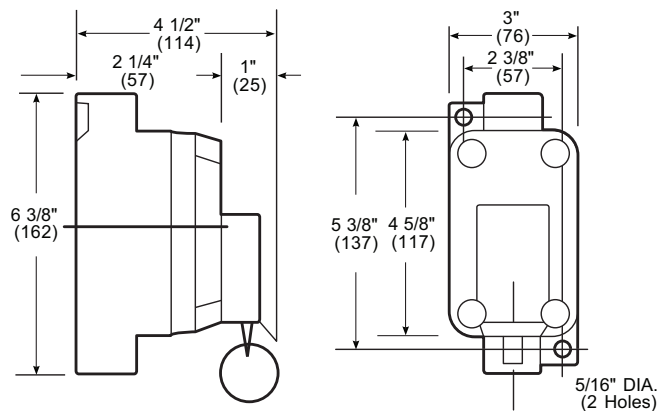
Features

- Enclosure is made of copper free aluminum alloy
- Conduit openings are 3/4" NPT feed through
- Red, textured powder epoxy paint finish is standard on box and cover and provides high visibility for alarm station
- Bilingual nameplates included per CSA requirement
- Internal ground screw is standard

Hazardous Area Classifications

- Class I, Division 1 and 2, Group C and D.
- Class I, Zones 1 & 2, Groups IIB, IIA
- Class II, Division 1 and 2, Group E, F, and G.
- Class III
- NEMA 7 (C,D) 9 (E,F,G).

Dimensions



Contact Block Rating

AC						DC		
Volts	Make Amperes	VA	Break Amperes	VA	Continuous Carrying Amperes	Volts	Make Break	Continuous Carrying Amperes
120	60	7200	6	720	10	125	1.1	2.5
240	30	7200	3	720	10	250	0.55	2.5
480	15	7200	1.5	720	10	600	0.2	2.5
600	12	7200	1.2	720	10	—	—	—

Ordering Information

Model	Description
XAL-53	Explosion-Proof Manual Fire Alarm Station



Canada

25 Interchange Way Vaughan, ON L4K 5W3
 Telephone: (905) 660-4655 | Fax: (905) 660-4113

U.S.A.

4575 Witmer Industrial Estates Niagara Falls, NY 14305
 Toll Free: (888) 660-4655 | Fax Toll Free: (888) 660-4113

www.mircom.com



THIS INFORMATION IS FOR MARKETING PURPOSES ONLY AND NOT INTENDED TO DESCRIBE THE PRODUCTS TECHNICALLY.

For complete and accurate technical information relating to performance, installation, testing and certification, refer to technical literature. This document contains intellectual property of Mircom. The information is subject to change by Mircom without notice. Mircom does not represent or warrant correctness or completeness. All rights reserved. All other trademarks and registered trademarks are properties of their respective owners.

CAT. 5124

Rev. 5