



Description

The SENS-RDR sensitivity reader simplifies detector inspection with a convenient wireless device. Like all i3 series products, the SENS-RDR is intelligent, easy to use, and provides instant inspection.

Installation (testing) Ease

The SENS-RDR utilizes infrared technology to read the sensitivity of i3 series detectors. Being wireless, there is no need for a physical connection to the detector. Also no voltmeter or multi-meter is required, to further reduce testing time. The SENS-RDR is designed for either hand-held use or may be connected to a threaded extension pole, to eliminate the need for a ladder when measuring the detector's sensitivity.

Intelligence

The SENS-RDR provides specific information related to the sensitivity of the detector. Rather than displaying a voltage reading, the SENS-RDR indicates the detector's sensitivity in terms of percent per foot obscuration. This eliminates the added step of cross-referencing a voltage reading to a sensitivity range.

Instant Inspection

The SENS-RDR is equipped with an LED and sounder to indicate when the device has completed reading an i3 detector. Upon completion, the LCD screen displays the detector's sensitivity as well as one of three text status indications: GOOD, SERVICE, or REPLACE. Additionally, the SENS-RDR provides a low battery indication when its two AA alkaline batteries need to be replaced.

Features

- Reads sensitivity of i3 series detectors
- Displays sensitivity in percent per foot obscuration
- Infrared technology does not require a physical connection to the detector
- Eliminates the need for a voltmeter or multi-meter
- May be used as a hand-held device or with a threaded extension pole
- LCD display indicates specific sensitivity reading and a status indication
- Provides audible and LED indication when detector sensitivity has been read
- Operates with two AA alkaline batteries
- Includes low battery indication
- Auto shut-off after 30 minutes

Engineering Specifications

Sensitivity reader shall be an i3 series model number SENS-RDR, listed with Underwriters Laboratories as a smoke detector accessory. The reader shall be capable of reading the detector's sensitivity without the need for a physical connection to the detector, and shall not require the use of a voltmeter or multi-meter. The reader shall offer the capability of hand-held use or shall accept a threaded extension pole.

The reader shall include an LCD screen which indicates a detector's sensitivity in terms of percent per foot obscuration and a textual status indication. The reader shall operate with two AA alkaline batteries and shall be capable of indicating a low battery condition on the LCD screen.



Specifications

Batteries

2 – AA alkaline batteries
(not included)

Dimensions

Length: 718 inches (181 mm)
Width: 138 inches (35 mm)
Depth: 118 inches (29 mm)

Weight

8 oz. (225 grams)

LCD Status Indications

Status Indication	Action
GOOD	The detector is within its sensitivity range. No action is necessary at this time.
SERVICE	The smoke detector's sensing chamber requires cleaning for continued reliable operation. Refer to the i3 Series manual for proper maintenance procedures.
REPLACE	The smoke detector is failing and should be replaced immediately.

SENS-RDR Operation

1. Turn the reader on by pressing and holding the button for approximately 2 seconds until the reader sounds. The LCD will display the word "READY". The "READY" status indicates that the SENS-RDR is ready for accepting data from an i3 Series smoke detector.
2. Place the reader by the smoke detector being tested. Position the reader above the oval depression near the word "PAINT" (See Figure 1). Position the reader below the detector at an angle (See Figure 2). A ledge and an anti-skid tip is provided on the reader to maintain the reader in place while it reads the sensitivity.
3. Hold the reader in this position up to 10 seconds until the reader sounds and the reader's red LED illuminates. (**Note:** If the reader does not sound after 10 seconds, verify that the reader is properly positioned, and the LCD displays "READY".)
4. The LED and sounder indicate a valid reading is received. The sensitivity reading and status for the detector will be automatically displayed on the reader. (See "LCD Status Indications" above.) The reader will continue to display this information for up to 30 minutes, or until the reader is reset. (**Note:** No further readings may be taken until the reader is reset.)
5. To measure the sensitivity of the next detector, reset the reader by momentarily pressing the button. The LCD will again display the word "READY". Repeat steps 2 through 4, as necessary.
6. When finished, turn off the reader by pressing and holding the button for approximately 2 seconds until the reader sounds.

Figure 1: Reader location on i3 Series detectors

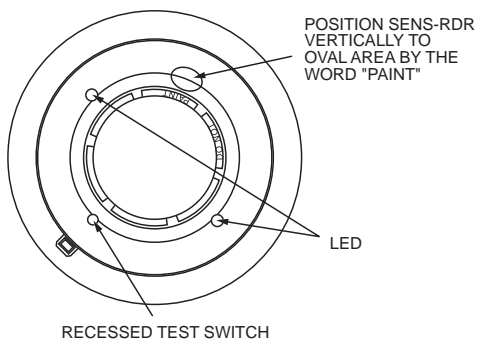
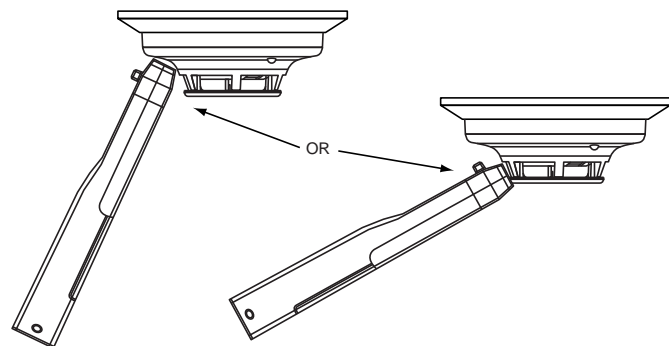


Figure 2: Position Reader on i3 Series detectors



Ordering Information

Model	Description
SENS-RDR	Sensitivity Reader for i3 Series Smoke Detectors

NOT TO BE USED FOR INSTALLATION PURPOSES.



Canada
25 Interchange Way
Vaughan, Ontario L4K 5W3
Telephone: (905) 660-4655
Fax: (905) 660-4113

U.S.A.
4575 Witmer Industrial Estates
Niagara Falls, NY 14305
Toll Free: (888) 660-4655
Fax Toll Free: (888) 660-4113

Web page: <http://www.mircom.com> Email: mail@mircom.com

Distributed by:

ISO 9001:2008
REGISTERED



CAT. 5130
Rev. 3