



MS-710
Dual Action
Bilingual Manual Station

MS-710U
Dual Action
Manual Station

Description

Mircom's MS-700 Series Manual Stations provide manual fire reporting. These high quality, die-cast metal manual stations are available in either single or dual action configurations with SPST contacts and terminal strip connections. The normally open contact, which closes when the manual station is activated, is rated for 1 amp, 30 VDC. The contacts are gold plated to avoid the risk of corrosion.

The MS-700 Series Manual Stations are available in many different configurations as either single or dual-action devices.

The MS-701 is a single action, single stage manual station. Model MS-710 is a single stage, dual action manual station. The MS-702 (two stage) is similar to the MS-701 (single stage) except it contains an additional General Alarm (G.A.) N.O. switch. For safety reasons, the G.A. switch is only accessible after the handle has been pulled. A special key is supplied with each unit.

All models are available with key resets, terminal connectors, SPST gold contacts and CAT-30 lock and keys. The units mount on a standard single gang backbox, Mircom's BB-700 surface metal backbox or BB-700WP weather proof backbox.

The MS-700U Series Manual Stations are listed for outdoor applications when used with the BB-700WP.

Features

- Single or Dual Action models
- Single Stage or Dual Stage models
- Key resettable
- Terminal connectors
- Gold plated SPST contacts
- Optional auxiliary contacts
- High-gloss red enamel finish
- Plastic breakrod
- Mounts on standard single gang box, Mircom's BB-700 surface metal backbox or BB-700WP weather proof backbox
- Available in English and Bilingual versions

Operation

The MS-700 Series is operated by pulling the handle on the front of the station. The unit is reset by opening the station with the key, placing the handle in the normal upright position and re-locking the station. On the dual action models, the push bar rotates inward allowing the Manual handle to be grasped in a one handed motion. The MS-702 (two stage version) also provides a key switch which is accessible after the handle has been pulled. Operation of the key switch, when connected to a separate general alarm circuit, will initiate the 2nd stage of a two stage alarm signalling system.

Specifications

The manual station shall be Mircom's MS-700 Series. Operating instructions shall be in raised English or English and French lettering and the unit shall be constructed of high quality die-cast metal and finished in red enamel paint to provide quick identification. Pulling the handle shall initiate immediate operation of the alarm detection circuit. In addition, those stations installed in a two stage system shall come equipped with an internal key switch designed to operate the 2nd stage alarm initiating circuit. All manual fire alarm stations shall be installed to comply with the Canadian Electrical Code (CSA 22.1) and CAN/ULC-S524-01 Standard for Installation of Fire Alarm Systems. Final acceptance is subject to the local authority having jurisdiction.



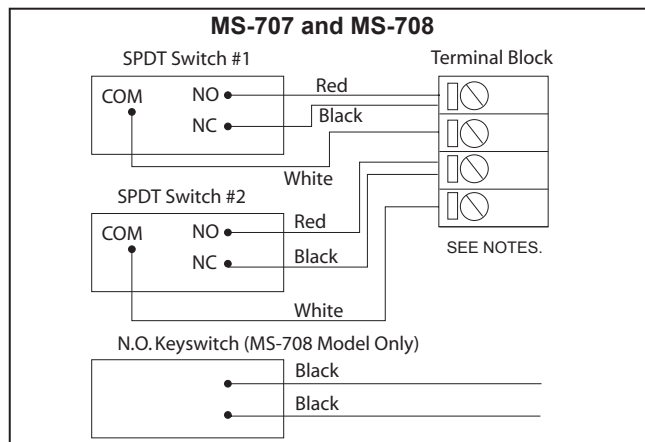
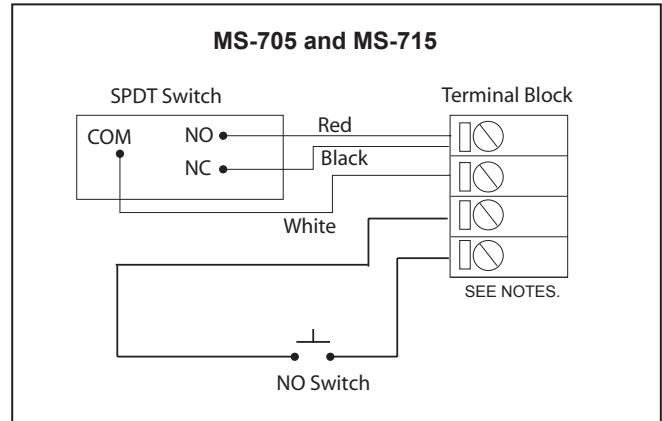
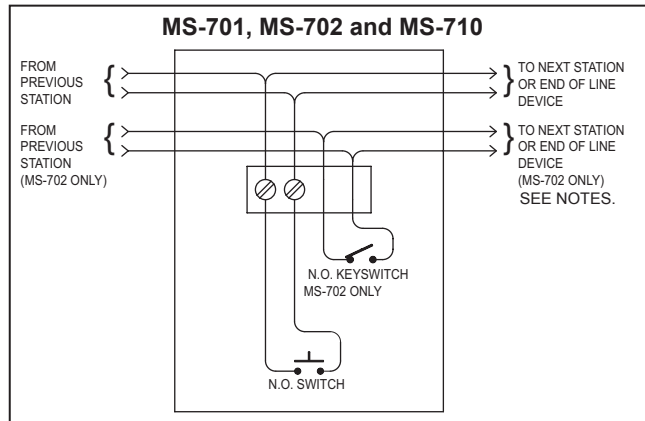
Specifications

Switch Rating: 1 Amp @ 30 VDC, 0.1 Amp @ 125 VAC

Manual Station Dimensions: 4.9" H x 3.5" W x 2.0" D

Colour: Red with raised white letters, white manual bar with raised black letters.

Typical Wiring Diagrams



Surface Mount Backboxes



BB-700 Surface Mount Backbox

Dimensions:
5" H x 3.6" W x 2.0" D

BB-700WP Weatherproof Surface Mount Backbox

Dimensions:
5" H x 3.6" W x 2.2" D



NOTES:

- Wire as shown so that supervision of connections is maintained
- Mount station to 2" x 4" x 2 1/4" outlet box
- Maximum size: No. 12 AWG
- For Normally Open operation, cut the NC wire
- For Normally Closed operation, cut the NO wire
- Switches shown in the Station Closed position

Ordering Information

Model	Description
MS-701	Single Stage Single Action Manual Station (Bilingual), FM
MS-702	Dual Stage Single Action Manual Station (Bilingual)
MS-705	Single Stage Single Action Manual Station c/w one additional Form "C" (SPDT) Contact (Bilingual)
MS-710	Single Stage Dual Action Manual Station (Bilingual)
MS-715	Single Stage Dual Action Manual Station c/w one additional Form "C" (SPDT) Contact (Bilingual)
MS-707	Single Stage Single Action Manual Station c/w 2 Form "C" Contacts
MS-708	Dual Stage Single Action Manual Station c/w 2 Form "C" Contacts and Key Switch
BB-700	Series 700 Interior Surface Mount Backbox, Red Finish
BB-700WP	Series 700 Weatherproof Surface Mount Backbox, Red Finish

Note: Add suffix "U" for English only models. Models MS-701U and MS-710U, MS-710APU, MS-710MPU are FM approved.



Canada

25 Interchange Way Vaughan, ON L4K 5W3
Telephone: (905) 660-4655 | Fax: (905) 660-4113

U.S.A.

4575 Witmer Industrial Estates Niagara Falls, NY 14305
Toll Free: (888) 660-4655 | Fax Toll Free: (888) 660-4113

www.mircom.com



THIS INFORMATION IS FOR MARKETING PURPOSES ONLY AND NOT INTENDED TO DESCRIBE THE PRODUCTS TECHNICALLY.

For complete and accurate technical information relating to performance, installation, testing and certification, refer to technical literature. This document contains intellectual property of Mircom. The information is subject to change by Mircom without notice. Mircom does not represent or warrant correctness or completeness. All rights reserved. All other trademarks and registered trademarks are properties of their respective owners.

CAT. 5156

Rev. 7