



Features

- Single Unit is capable of 12 or 24 VDC determined by the input voltage
- Unit Dimensions: 2.84" wide x 4.48" high x 0.5" deep
- Jumper Selectable Temporal 3 or Continuous Tone on the GX93.
- GX91 has a Continuous Tone horn only
- Horn Frequency is 3100Hz
- Terminal Blocks (12 AWG to 18 AWG)
- Low Current Consumption
- Variety of Mounting Options for New Construction and Retrofit Applications
- To Synchronize the GX93 use the AVS Series Control Module
- UL 464 Listed for Fire Protective Service
- Textured Finish High Impact Plastic Faceplate, available in Fire Alarm Red or Off-White

Description

The GX91/GX93 Series mini-horn is a high quality remote signaling appliance that offers dependable remote annunciation. The GX91/GX93 is listed for use with both filtered and unfiltered power.

The GX91 is a continuous tone mini horn. This unit is **not** synchable with the AVS Series Control Module. It is however synchable from the panel. With the GX93 a jumper is provided to select either the continuous tone or the temporal 3 evacuation tone.

The GX93 can be used on the same sync circuit (AVS Series Control Module) as other signals such as the Commander series. The GX91/GX93 appliances are UL 464 listed for use with fire protective systems.

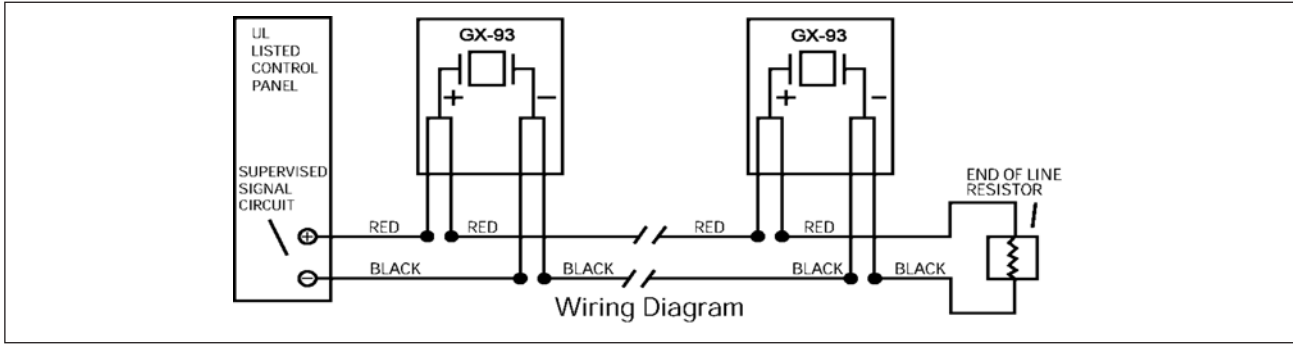
Engineer Specifications

The alarm horns shall be a Model GX91/GX93. The appliance shall be listed with Underwriters Laboratories for use with Fire Protective Signaling Systems and produce a peak sound output of 90dBA or greater as measured in an anechoic chamber.

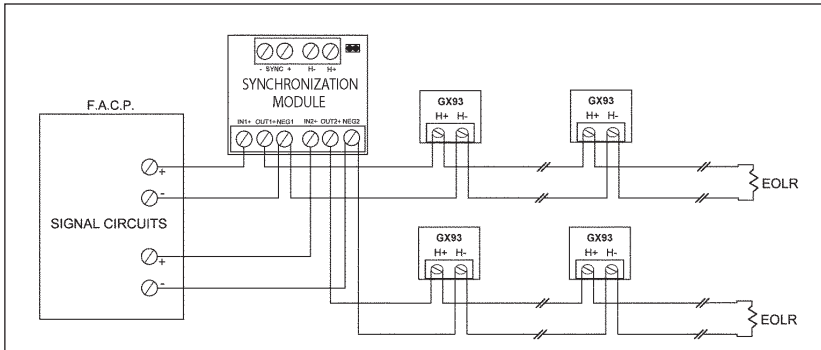
The appliance shall be of solid-state construction and be polarized to operate from 8-33 VDC with a 15 milliamp current drain on the GX91 and a 22 milliamp current drain on the GX93 at 24 VDC. The appliance shall be provided with 2 terminals, and mount to a variety of single-gang back boxes.



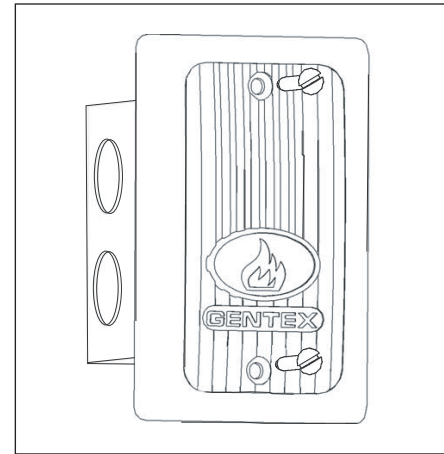
Wiring Diagram



AVS-44 Sync Module Wiring Diagram



Mounting Diagram



Current Ratings

Model	GX91	GX93
24 VDC	15mA	22mA
24 VDC UL Max ¹	11mA	18mA
12 VDC UL Max ¹	7mA	13mA

Operating temperature - Indoor Use Only	
Indoor	32° to 120°F (0° to 49°C)

Horn Mode	Minimum dBA @ 10 Ft. Per UL464 @ 24V	Minimum dBA @ 10 Ft. Per UL464 @ 12V	Reverberant dBA @ 10ft. Per UL 464	In Anechoic Room dBA @ 10ft.
Temporal 3	81mA	78mA	78-86	90
Continuous	86mA	83mA	78-86	90

¹ RMS current ratings are per UL average RMS method. UL max current rating is the maximum RMS current within the listed voltage range (16-33VDC for 24VDC units) (8-17VDC for 12VDC units). For strobes the UL max current is usually at the minimum listed voltage (16VDC for 24VDC units) (8VDC for 12VDC units). For audibles the max current is usually at the maximum listed voltage. For unfiltered FWR ratings, see installation manual.

Ordering Information

Model	Description
GX91-R	Mini-Horn, 12 or 24 VDC, Continuous Tone, Low Current, Red
GX91-W	Mini-Horn, 12 or 24 VDC, Continuous Tone, Low Current, White
GX93-R	Mini-Horn, 12 or 24 VDC, Continuous or Temporal 3 Tone, Low Current, Red
GX93-W	Mini-Horn, 12 or 24 VDC, Continuous or Temporal 3 Tone, Low Current, White
AVS-44	Sync Module

Note: The sound output for the temporal 3 tone is rated lower since the time the horn is off is averaged into the sound output rating. While the horn is producing a tone in the temporal 3 mode its sound pressure is the same as the continuous mode.

NOT TO BE USED FOR INSTALLATION PURPOSES.



Canada

25 Interchange Way
Vaughan, Ontario L4K 5W3
Telephone: (905) 660-4655
Fax: (905) 660-4113

U.S.A.

4575 Witmer Industrial Estates
Niagara Falls, NY 14305
Toll Free: (888) 660-4655
Fax Toll Free: (888) 660-4113

Web page: <http://www.mircom.com> Email: mail@mircom.com

Distributed by:

ISO 9001:2008
REGISTERED



CAT. 5242
Rev. 5