



Features

- 12 VDC with 15, 35 or 60 cd settings
- 24 VDC with 15, 35, 60, 75, 95 or 110 cd settings
- For outdoor or indoor applications
- 6 distinctive candela settings
- Candela selection view window
- 15/75 ADA compliant on 60cd setting
- Pre-wire back plate
- Universal back plate mounting
- Single screw mounting
- UL and C-UL listed

Description

The FS-340R-WP Strobe provides a wide range of candela light output options in a single device. The candela settings include a 12 or 24 volt operation for the 15, 35 and 60 (75 on axis) candela settings and 24 volt operation for the 15, 35, 60, 75, 95 and 110 candela settings. The candela setting is displayed through the front window and is selectable using a drum wheel. The voltage input can be either regulated DC or full wave rectified (FWR). The strobes can be synchronized using a control panel with the Mircom (Amseco) sync protocol or an SDM-240 sync module.

The FS-340R-WP utilizes a universal mounting plate. The back plate allows the installer to mount the plate and terminate the wire connections. The strobe attaches in a hinge fashion from the top and is secured by a single mounting screw. The strobe completely covers the mounting back plate, therefore it can be mounted before other trades work is completed and not affect the final look.

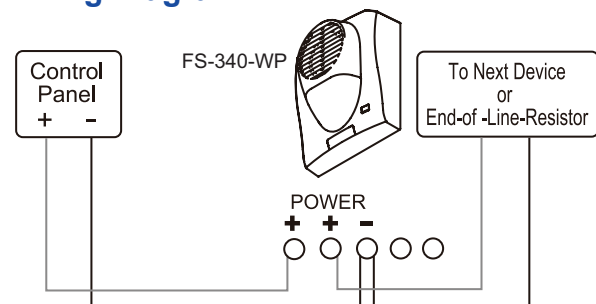
The FS-340R-WP is listed for both outdoor and indoor applications and comes complete with a matching weatherproof back box.

Engineering Specifications

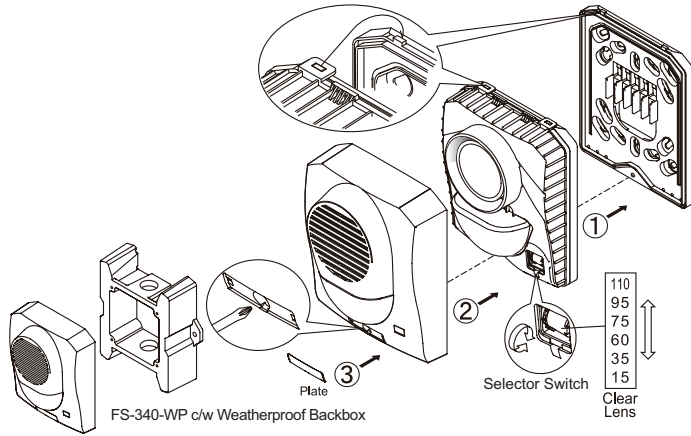
The installer shall provide and install the FS-340R-WP selectable strobe. The strobe shall have six (6) candela settings. The candela settings shall be selectable using a drum roller and shall display the candela setting on the front of the device. The strobe shall operate at 12 or 24 VDC regulated or full wave rectified (FWR) and shall have an operating range between 8 and 33 VDC.

The strobes can be synchronized using a control panel with the Mircom (Amseco) sync protocol or an SDM-240 sync module. The strobe shall utilize a mounting plate that allows the installer to pre-wire the mounting plate. The mounting plate shall be completely covered by the strobe and shall be secured by a single screw. The FS-340R-WP can be mounted outdoor and is listed for such applications. In outdoor installations, the FS-340R-WP shall be mounted on the matching weatherproof backbox. . The operating range shall be 32°F to 120°F (0°C to 49°C) for the indoor installations and -40°F to 151°F (-40°C to 66°C) for the outdoor installations. The strobe shall be UL listed to standard 1638, General Signaling, and standard 1971, Signaling Devices for the Hearing Impaired. In addition, the strobes shall be C-UL listed to CAN-ULC S526.

Wiring Diagram



Installation



WARNING

High voltage may be present inside the light assembly even though power is not connected. If access to the component board is required (removal or replacement), the capacitor must be discharged by touching a wire to both ends of the flash tube.

DO NOT attempt to touch or move the assembly until the capacitor has been discharged.

Specifications

Strobe Current

Setting	Light Output	Max. RMS Operating Current (mA RMS)			
		Reg. 12 VDC	Reg. 12 FWR	Reg. 24 VDC	Reg. 24 FWR
1	15cd	129	185	100	102
2	35cd	160	214	135	161
3	60/75cd	193	239	171	202
4	75cd	NA	NA	190	228
5	95cd	NA	NA	211	255
6	110cd	NA	NA	225	284

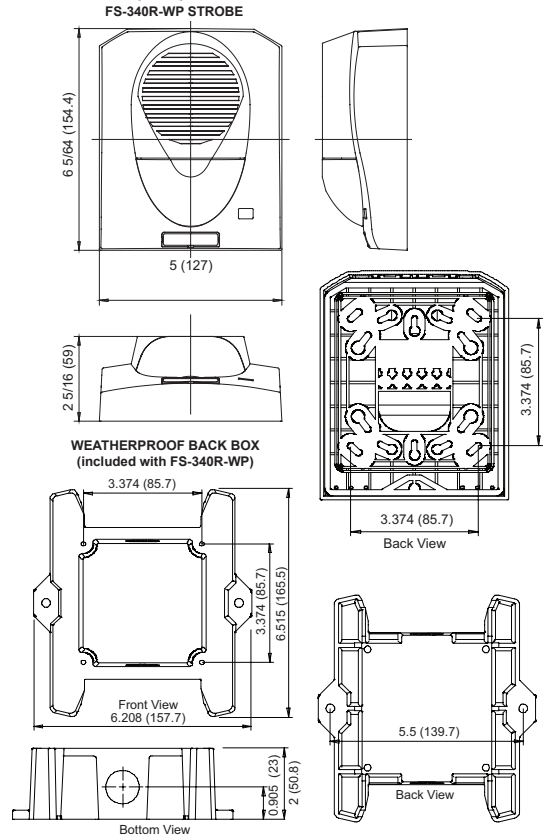
Voltage	12/24V	
UL Designation	Regulated 12 DC/ FWR	Regulated 24 DC/ FWR
Operating Voltage Range	8 - 17.5V	16 - 33V
Flash Rate	60 times/min.	
Sync Module (SDM-240)	N/A	Available
Operating Temperature Range	Indoor installations: 32°F to 120°F (0°C to 49°C) Outdoor installations: -40°F to 151°F (-40°C to 66°C)	

Ordering Information

Model Number	Description
FS-340R-WP	Wall Mount Weatherproof Strobe c/w weatherproof backbox, Red

Dimensions

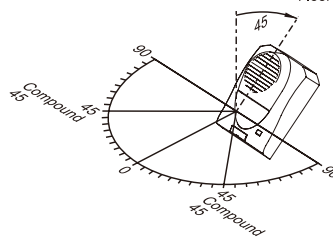
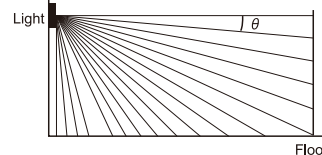
Inches (mm)



Light Output

Light output in percentage when measured from the following directions per UL 1971.

Wall mount vertical dispersion



Degrees	% of Rating	
	Horizontal	Vertical
0	100	100
5-25	90	90
30	75	90
35	75	65
40	75	46
45	75	34
50	55	27
55	45	22
60	40	18
65	35	16
70	35	15
75	30	13
80	30	12
85-90	25	12

NOT TO BE USED FOR INSTALLATION PURPOSES.



Canada
25 Interchange Way
Vaughan, Ontario L4K 5W3
Telephone: (905) 660-4655
Fax: (905) 660-4113

U.S.A.
4575 Witmer Industrial Estates
Niagara Falls, NY 14305
Toll Free: (888) 660-4655
Fax Toll Free: (888) 660-4113

Web page: <http://www.mircom.com> Email: mail@mircom.com

Distributed by:

ISO 9001:2008
REGISTERED



CAT. 5270
Rev. 0