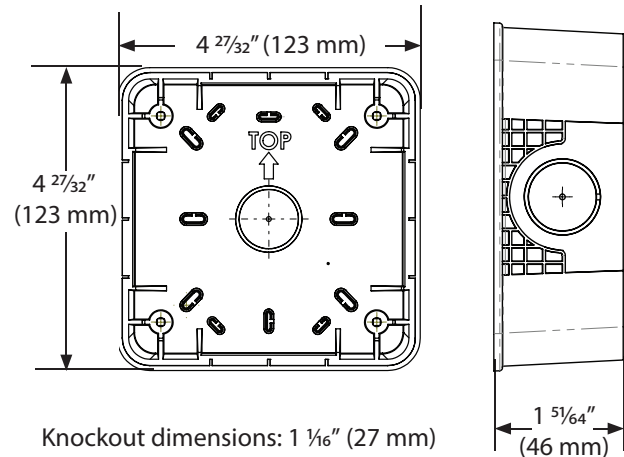



Features

- Designed for indoor surface mount applications
- Compatible with Mircom 400 Series LED Notification Appliances
- Red and white models

Description

Mircom's BB-400 Series back boxes are designed for indoor surface mount applications. Available in red and white models, the BB-400 Series back boxes are compatible with Mircom's 400 Series LED Notification Appliances. The durable plastic back boxes come with conduit entries on all sides as well as a knock-out at the back.

Dimensions


S5375



S5375


 7135-1477-0500
 7125-1477-0501

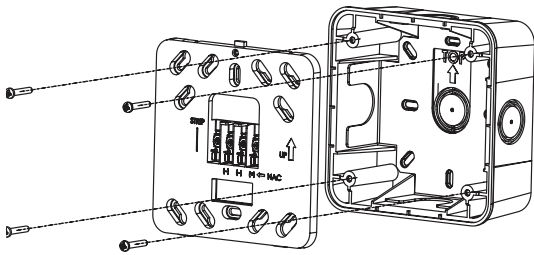
CATALOG NUMBER
5278

NOT TO BE USED FOR INSTALLATION PURPOSES.

Mircom reserves the right to make changes at any time without notice in prices, colours, materials, components, equipment, specifications and models and also to discontinue models.

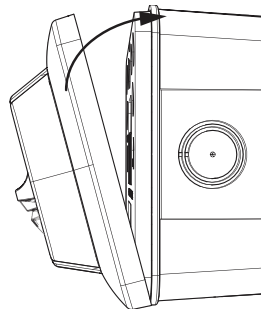
Mounting

1



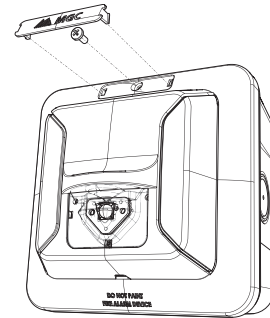
Attach the mounting plate to the mounting box with the 4 screws.

2



Snap the unit on to the mounting plate.

3



Secure the unit with the #4-40 x 3/8" screw and snap the nameplate over the screw.

Ordering Information

Model Number	Description
BB-400R	Surface Mount Back Box, Red
BB-400W	Surface Mount Back Box, White

NOT TO BE USED FOR INSTALLATION PURPOSES.



Canada
 25 Interchange Way
 Vaughan, Ontario L4K 5W3
 Telephone: (905) 660-4655
 Fax: (905) 660-4113

U.S.A.
 4575 Witmer Industrial Estates
 Niagara Falls, NY 14305
 Toll Free: (888) 660-4655
 Fax Toll Free: (888) 660-4113

Web page: <http://www.mircom.com> Email: mail@mircom.com

Distributed by:

ISO 9001:2008
 REGISTERED



CAT. 5278
 Rev. 0