



Features

- An aesthetically pleasing high quality customizable graphical interface between administrators and monitored buildings
- Building ready monitoring control system with full software management in a user friendly graphical enabled interface
- Easy configuration and customization of alarm devices
- Remote desktop programming from any location
- Upload/download configuration files without taking the whole system off-line
- Customizable fire annunciation graphical icons to provide customer specific site representation
- Enhanced auto-watch allows the viewer to automatically scan individual buildings
- Custom alarm and system status messaging instantly inform building administrators of events and alarms
- Custom color graphical icons depict up to 500,000 addressable devices
- Extensive event logging up to 500,000 events with status notations for report customization
- Multiple import and export formats are supported
- Multi dimensional controls allow the user to precisely navigate between buildings and floors for rapid surveillance
- Drag and drop icon placement provides easy device location mapping
- Instant alarm notification provides an automatic zoom to the alarm area

Description

Mircom's Open Graphic Navigator (OpenGN) software is an advanced fire alarm management and warning system that provides building ready monitoring and software management solutions that allows a user to monitor remote sites from multiple operator workstations located anywhere in the world.

The software uses color-coded messages to annunciate device information. "Take Action" messages provide first responders with specific, real-time information about alarms at the site including notes about hazardous materials, vulnerable building occupants, and management contacts.

OpenGN automatically detects devices, such as smoke detectors and heat detectors, and allows the user to easily place them onto the floor plan or map using a simple drag-and-drop function. In addition, it compiles real-time reports of alarms and events, exactly as they occur. With these reports and records, the user can reconstruct emergency events after the fact both to verify that the proper steps were taken, and to improve future responses.

Mircom's OpenGN addresses the need within today's fire monitoring system market for an easy-to-use remote monitoring system and an easy-to-use administrator configuration utility. The graphic software allows for monitored buildings to be presented in detailed 3-dimensional representations creating an aesthetically pleasing high quality monitoring and configuration system between administrators and their building establishments.

The modular architecture of OpenGN allows for a flexible, scalable and customized application and allows OpenGN to adapt to the network panel size, traffic, available devices and existing circuits.

Mircom's OpenGN meets the enterprise needs for real-time networked fire alarm monitoring. The combination of real-time fire alarm monitoring and network access to remotely controlled fire panels offers enterprises a unique, end-to-end network solution for more cost-effective security and remote operations management of building fire monitoring systems.

System Requirements

Recommended Computer Specifications

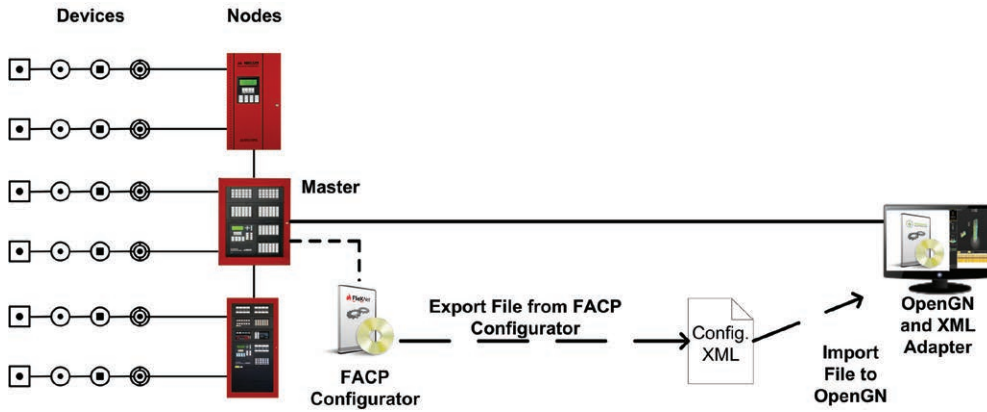
- Intel® Core™ i5-650 Processor
- 8GB RAM DDR3
- 1GB Dedicated Graphics Memory (NVIDIA recommended)
- 10/100/1000 Ethernet Port
- Microsoft Windows 7 Professional

Minimum Computer Specifications

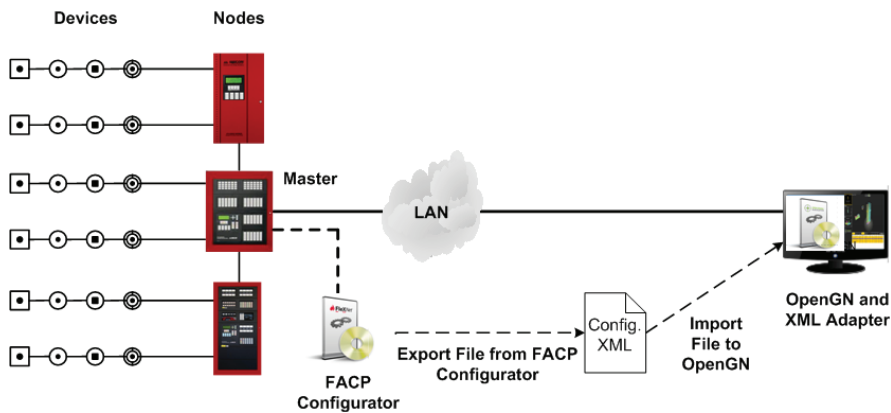
- Intel® Core™ 2 Duo Processor @ 2.80GHz
- 2GB RAM DDR3
- 256MB Dedicated Graphics Memory (NVIDIA/ATI recommended)
- 10/100/1000 Ethernet Port
- Microsoft Windows XP Professional SP3

Network Diagrams

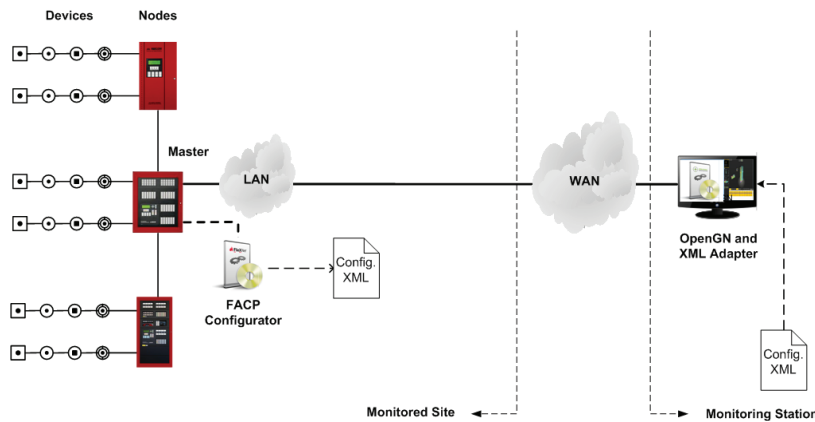
Direct Connection



LAN Connection



WAN Connection



Ordering Information

| Model | Description |
|-------------|--|
| OpenGN-MINI | Mircom OpenGN Graphic Fire Alarm Monitoring Software, Mini Edition for standalone FX-2000 (non-network) or FleX-Net panels |
| OpenGN-ENT | Mircom OpenGN Graphic Fire Alarm Monitoring Software, Enterprise Edition for FleX-Net network systems. |
| OpenGN-CTRL | Mircom OpenGN Graphic Fire Alarm Monitoring Software, Control Edition for FleX-Net network systems. |

Note: Computer is not supplied with the OPENGN software. For a UL/ULC listed computer contact Comark Corporation (www.comarkcorp.com)

NOT TO BE USED FOR INSTALLATION PURPOSES.



Canada
 25 Interchange Way
 Vaughan, Ontario L4K 5W3
 Telephone: (905) 660-4655
 Fax: (905) 660-4113

U.S.A.
 4575 Witmer Industrial Estates
 Niagara Falls, NY 14305
 Toll Free: (888) 660-4655
 Fax Toll Free: (888) 660-4113

Web page: <http://www.mircom.com> Email: mail@mircom.com

Distributed by:



CAT. 5323
 Rev.1