

Model: ALCN-792MISO

**Description**

The ALCN-792MISO Isolated Quad Loop Adder Module provides two addressable loops plus an additional two loops as part of the daughter board ALCN-792D which is mounted over the ALCN-792MISO. The quad loop adder module provides Signaling Line Circuits (SLC) to the Flex-Net Addressable Fire Alarm system consisting of 159 Sensors and 159 Addressable Modules per loop.

Each ALCN-792MISO Loop Controller Module has a dedicated Central Processor Unit (CPU) and will support two fully loaded SLC lines which will provide up to 318 addressable devices per SLC line, for a total of up to 636 addressable devices per ALCN-792MISO Quad Loop Controller module.

The ALCN-792MISO occupies one module space on any Flex-Net FX-2000N Series control panel chassis

The ALCN-792D daughter board provides two additional SLC lines for up to 318 addressable devices per SLC line, for a total of up to 1,272 addressable devices per combination ALCN-792MISO with ALCN-792D.

**Features**

- Isolated
- Dedicated Central Processor Unit (CPU) per module
- Expands system capacity to 636 addressable devices on 2 loops, 159/159 per loop
- With the addition of the ALCN-792D this expands module an additional 2 loops bringing module capacity to 1272 addressable devices.

**Electrical Ratings**

**ALCN-792MISO with ALCN-792D**

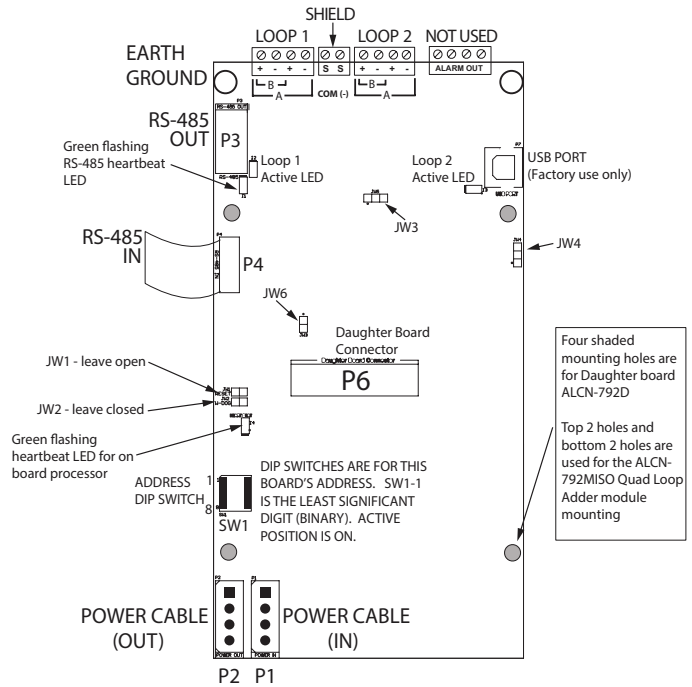
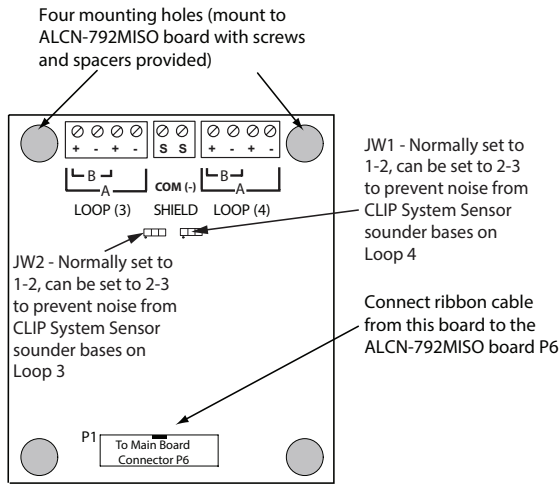
Power limited:	
	24VDC, 400mA max, 10kHz frequency
	MAX loop resistance 40 ohms
Current Consumption:	
Standby	200 mA
Alarm	213 mA

Notes for ALCN-792MISO:  
 All circuits are power limited and must use type FPL, FPLR, or FPLP power limited cable.  
 Loop wiring: maximum loop resistance is 40 ohms total. These lines are power limited and fully supervised.

Refer to wiring instructions in the Network Fire Alarm Manual



# Wiring Diagram



# Ordering Information

Model	Description
ALCN-792MISO	Isolated Quad Loop Adder Module
ALCN-792D	Daughter Board



**Canada**  
 25 Interchange Way  
 Vaughan, Ontario L4K 5W3  
 Telephone: (905) 660-4655  
 Fax: (905) 660-4113

**U.S.A.**  
 4575 Witmer Industrial Estates  
 Niagara Falls, NY 14305  
 Toll Free: (888) 660-4655  
 Fax Toll Free: (888) 660-4113



**THIS INFORMATION IS FOR MARKETING PURPOSES ONLY AND NOT INTENDED TO DESCRIBE THE PRODUCTS TECHNICALLY.**

For complete and accurate technical information relating to performance, installation, testing and certification, refer to technical literature. This document contains intellectual property of Mircom. The information is subject to change by Mircom without notice. Mircom does not represent or warrant correctness or completeness.