



Description

MGC’s FHS-400-WP Weather Protected Horn/Strobes are a robust and reliable solution designed to thrive in challenging environments. Crafted for outdoor installations, the FHS-400-WP Horn/Strobes are fortified against various environmental factors, ensuring unwavering performance in all conditions.

With a temperature range from -40°C to 66°C (-40°F to 151°F), the FHS-400-WP Horn/Strobes are engineered to withstand extreme weather conditions, making it a dependable choice for a wide range of outdoor applications.

The FHS-400-WP Horn/Strobes have multiple field-selectable audible settings, including Temporal, Continuous, March Time, and 20 BPM audible tones with high and low volume options. The candela settings can be field configured for 15, 15/75, 30, 75, 110, 185 cd.

The MGC’s Weather Protected Horn/Strobes are designed for installation on walls. Its design ensures easy insertion with minimal impact on the enclosure. This comprehensive package includes a high performance horn/strobe, a durable backbox, and a transparent cover.

The distinctive red backbox and transparent cover not only enhance the device’s aesthetic appeal but also serve a practical purpose, providing quick and easy identification for seamless recognition.

MGC’s Weather Protected Horn/Strobes can be synchronized using an FACU or PSU with the MGC sync protocol or through an external sync module for compatibility with any UL/ULC FACU or PSU.

MGC’s Weather Protected Horn/Strobes are listed to UL/ULC standards for Audible Signaling Devices for Fire Alarm systems, Visible Signaling devices for Fire Alarm systems and Signaling Devices for the Hearing Impaired.



Features

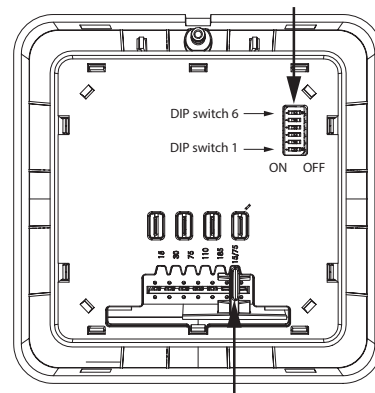
- Outdoor-ready design with protection against environmental factors.
- Reliable Performance in extreme weather conditions
- Operating Temperature Range from -40°C to 66°C (-40°F to 151°F)
- Advanced LED technology provides superior current draw performance Standard and High candela settings in one unit to meet virtually any application.
- -15, 15/75, 30, 75, 110, 185 cd
- Multiple field-selectable audible settings
 - Temporal, Continuous, March Time and 20 BPM audible tones
 - High and Low volume settings
- Synchronization available with MGC Protocol or through external sync module for compatibility with any UL/ULC FACU or PSU
- Listed for Wall Mounting
- Removable side tabs for different types of installations
- Designed for easy installation with minimal impact on the enclosure
- Red and White options available to ensure both visibility and seamless integration with any environment
- Enhance emergency communication with white models featuring an ‘ALERT’ label
- Support 12 to 22 AWG wire

Agency Listings

- UL 1971
- UL 1638
- UL 464
- ULC S525
- ULC S526

Audible/Visible Settings

DIP switches for audible tone and volume options



Candela selector tab

Specifications

General Specifications

Operating Temperature	-40°C to 66°C (-40°F to 151°F)
Humidity Range	0% to 93%
Strobe Flash Rate	1 Hz
Nominal Voltage	Regulated 24 VDC/VFWR
Operating Voltage Range (RMS)	16 – 33 VDC/VFWR
Input Terminal Wire Gauge	22 AWG to 12 AWG
Installation Environment	Outdoor Environment Wet Location

FHS-400-RR-WP / FHS-400-WW-WP Operating RMS Currents (mA)

Candela	Regulated 24 VDC		Regulated 24 VFWR	
	Coded Tone*, High Volume**	Continuous Tone, High Volume	Coded Tone *, High Volume**	Continuous Tone, High Volume
15	38	51	69	73
30	52	65	99	102
75	112	125	189	194
15/75	113	126	190	196
110***	115	130	190	199
185***	204	225	236	243

* Coded Tone is representative of Temporal, March Time, and 20 BPM tones.

** High volume is representative of low volume.

*** For General Signaling only

Audible Rating

Pressure Level (Reverberant) @ 10 feet (dBA) for all audible tones

Volume	16 VDC	24 VDC	33 VDC	16 VFWR	24 VFWR	33 VFWR
High	83.1	85.6	85.8	79.7	81.5	82.6
Low	77	80.6	82	75.3	77.6	79.3

Testing conducted on continuous tone, representative of Temporal, Coded, and 20 BPM tones

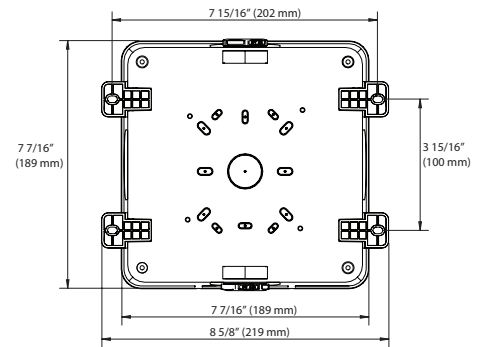
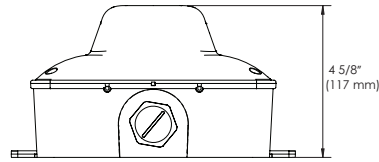
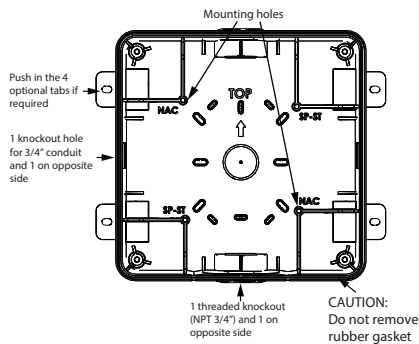
ULC Directional Sound Characteristics

Horizontal Axis	
± 29°	-3 dbA
± 48°	-6 dbA
± 90°	-9.9 dbA
Vertical Axis	
± 46°	-3 dbA
± 72°	-6 dbA
± 90°	-7.3 dbA

Light Output Dispersion

Degrees	% of Candela Setting	
	Horizontal Dispersion	Vertical Dispersion, Wall to Floor
± 0°	184	188
± 5°	178	204
± 10°	173	195
± 15°	169	158
± 20°	162	124
± 25°	153	125
± 30°	147	114
± 35°	143	109
± 40°	136	94
± 45°	140	82
± 50°	150	74
± 55°	128	77
± 60°	75	73
± 65°	75	66
± 70°	57	65
± 75°	61	52
± 80°	69	45
± 85°	77	39
± 90°	63	32
Compound ± 45°	51	-

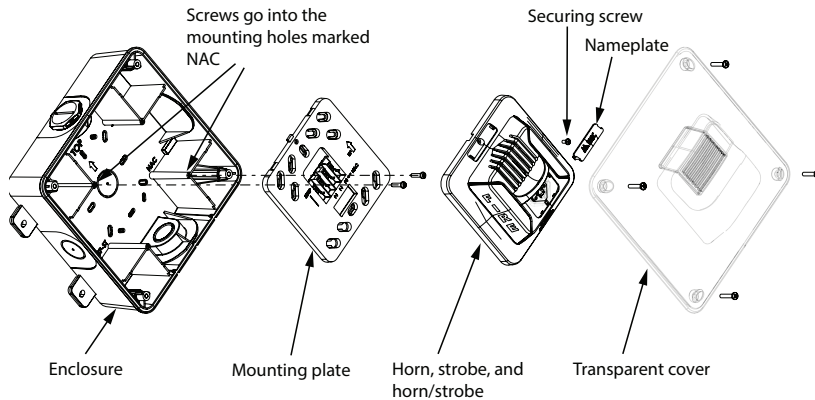
Dimensions



Mounting

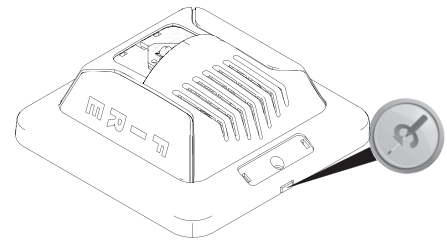
Mount the enclosure on the wall. When mounting on the wall, mount the enclosure with the word TOP at the top, and mount the device with the MGC nameplate at the top.

Note: Image for reference use only, go to Installation Manual LT-6511 for additional information.



Removing the Device from the Mounting Plate

To remove the device from the mounting plate, remove the nameplate and the securing screw, then insert a flathead screwdriver into the slot between the device and the mounting plate, and rotate the screwdriver.



Ordering Information

Model	Description
FHS-400-RR-WP	Weather Protected Wall Mount Horn/Strobe, Red (Includes device & enclosure)
FHS-400-WW-WP	Weather Protected Wall Mount Horn/Strobe, White (Includes device & enclosure)
ENCL-400-WP	Weather Protected Red Enclosure (Only for Replacement)
ENCL-400-W-WP	Weather Protected White Enclosure (Only for Replacement)
MIX-4050	Mircom Synchronization Module
MRI-4050	Secutron Synchronization Module

Note: Devices from the 400 NACs Series designed for indoor use are not compatible with the ENCL-400-WP / ENCL-400-W-WP for outdoor installations.



Canada

25 Interchange Way Vaughan, ON L4K 5W3
Telephone: (905) 660-4655 | Fax: (905) 660-4113

U.S.A.

4575 Witmer Industrial Estates Niagara Falls, NY 14305
Toll Free: (888) 660-4655 | Fax Toll Free: (888) 660-4113

www.mircom.com

This document is provided by Mircom Technologies Ltd., MGC Systems Corp., or their affiliates, subsidiaries and brands, for convenience or marketing only and does not describe products or services technically. For technical information refer to technical manuals. We do not make representations or warranties regarding this information, including as to completeness or accuracy. We may change these contents at any time and reserve all rights in the contents, including copyrights, trademarks and other intellectual property.

CAT. 5368

Page 3 of 3

Rev. 2