



FH-400-LF-RR

FH-400-LF-WW

Description

MGC's FH-400-LF Low Frequency Sounder is designed to meet NFPA 72 requirements for sleeping areas operating within a frequency range of 520 Hz \pm 10%, ensuring the most effective alarm to awake individuals during emergencies.

The FH-400-LF Sounder comes with DIP switches that offer easy adjustments for various audible patterns, including Temporal 3 (T3) for Fire, Temporal 4 (T4) for CO, Continuous, and 20 BPM settings.

The sounder is listed for both wall and ceiling installations, and easily fits on single gang boxes, double gang boxes, or 4" square boxes. The innovative design supports seamless operation on both VDC and VFWR, providing dual power compatibility for versatile application.

When connected to a compatible control equipment, the FH-400-LF Series audible devices remain synchronized with all MGC audible signals on the same Notification Appliance Circuit, including standard frequency MGC 400 Series audible signals.

The MGC FH-400-LF sounder is listed to UL 464 standard, Audible Signaling devices for Fire Alarm and Signaling Devices and ULC-S525, Audible Signal Devices for Fire Alarm Systems.

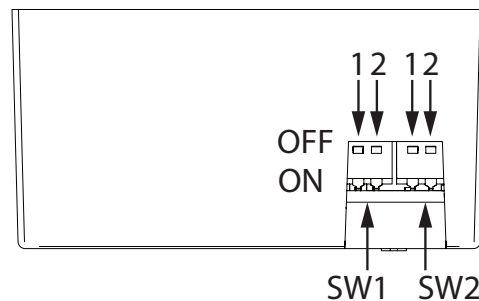
Features

- **Comprehensive Compliance:** Fully meets NFPA 72 Fire and CO low frequency sounder codes.
- **Optimal Alarm Tone:** Emits a precise 520 Hz \pm 10% square wave tone.
- **Customizable Audible Patterns:** Features DIP switches for easy tone setting adjustments.
 - Temporal 3 (T3) for Fire
 - Temporal 4 (T4) for CO
 - Continuous
 - 20 BPM
- **Flexible Mounting Options:** Listed for both Wall and Ceiling installations.
- **Easy Installation:** Mounts on single gang boxes, double gang boxes or 4" square boxes.
- **Dual Power Compatibility:** Engineered to operate seamlessly on both VDC or VFWR.
- Synchronization available with MGC Protocol or through external sync module for compatibility with any UL/ULC FACU or PSU.
- Supports 12 to 22 AWG.
- Indoor Use Only.

Agency Listings

- UL 464
- ULC S525

Audible Settings



DIP switches located at the side of the device for audible tone, volume, and synchronization settings.



Specifications

General Specifications

Operating temperature	0°C to 50°C (32°F to 122°F)
Humidity Range	0% to 93%
Frequency Range:	520Hz ± 10%
Nominal Voltage	Regulated 24 VDC / 24 VFWR
Operating Voltage Range (RMS)	16 – 33 VDC / VFWR
Input Terminal Wire Gauge	22 AWG to 12 AWG
Installation Environment	For Indoor Use Only

Audible Ratings

Overall Sound Pressure Level (Reverberant) @ 10 feet (dBa)

Sound Output Level (dBA)

Voltage	Normal	High
16 VDC	78	81
24 VDC	78	81
33 VDC	79	81
16 VFWR	79	81
24 VFWR	79	82
33 VFWR	79	82

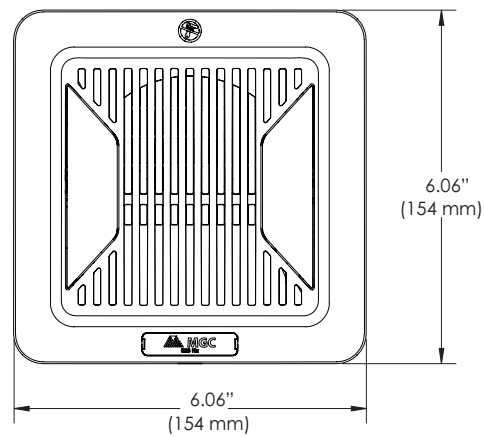
Directional Sound Characteristics

Horizontal	
± 87°	-3 dbA
± 90°	-5.1 dbA
Vertical Axis	
± 90°	-3 dbA

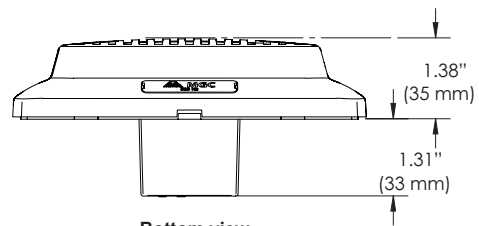
FH-400-LF Operating RMS Currents (mA)

Volume Setting	Normal	High
Temporal		
16 VDC	55	151
24 VDC	35	69
33 VDC	32	41
16 VFWR	93	230
24 VFWR	119	157
33 VFWR	117	140
Continuous		
16 VDC	77	200
24 VDC	70	99
33 VDC	58	85
16 VFWR	125	310
24 VFWR	101	223
33 VFWR	92	198

Dimensions



Front view



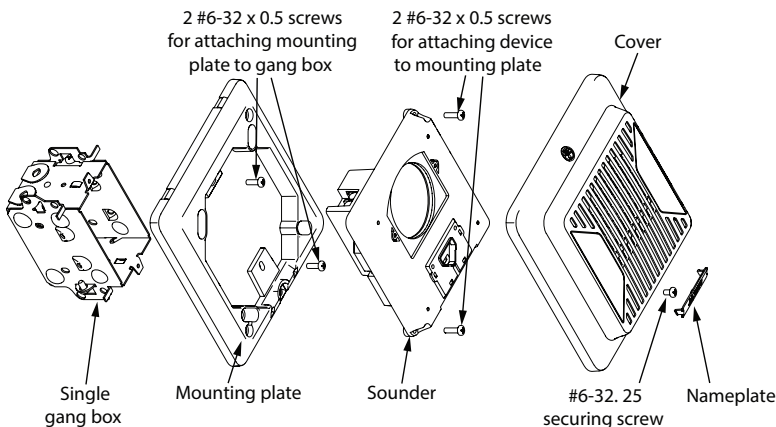
Bottom view

Mounting to the Wall or Ceiling

MGC recommends spacing notification appliances in compliance with CAN/ULC S524 and NFPA 72.

When mounting the device on the wall, mount the unit with the MGC logo at the bottom. The appliance is compatible with single gang, double gang or 4" square boxes.

Note: Image for Reference only, go to Installation Manual LT-6769 for additional information.



Ordering Information

Model	Description
FH-400-LF-RR	Red Wall/Ceiling Mount Low Frequency Sounder
FH-400-LF-WW	White Wall/Ceiling Mount Low Frequency Sounder
MIX-4050	Mircom Synchronization Module
MRI-4050	Secutron Synchronization Module



Canada

25 Interchange Way Vaughan, ON L4K 5W3
Telephone: (905) 660-4655 | Fax: (905) 660-4113

U.S.A.

4575 Witmer Industrial Estates Niagara Falls, NY 14305
Toll Free: (888) 660-4655 | Fax Toll Free: (888) 660-4113

www.mircom.com



This document is provided by Mircom Technologies Ltd., MGC Systems Corp., or their affiliates, subsidiaries and brands, for convenience or marketing only and does not describe products or services technically. For technical information refer to technical manuals. We do not make representations or warranties regarding this information, including as to completeness or accuracy. We may change these contents at any time and reserve all rights in the contents, including copyrights, trademarks and other intellectual property.

CAT. 5369

Page 3 of 3

Rev. 0