



FHS-400-LF-RR



FHS-400-LF-WW

## Description

MGC's FHS-400-LF Low Frequency Sounder/Strobe is designed to meet NFPA 72 requirements for sleeping areas operating within a frequency range of 520 Hz  $\pm$  10%, ensuring the most effective alarm to awake individuals during emergencies.

The FHS-400-LF Sounder/Strobe comes with DIP switches that offer easy adjustments for various audible patterns, including Temporal 3 (T3) for Fire, Temporal 4 (T4) for CO, Continuous, and 20 BPM settings. The advanced LED technology provides the option to have Standard and High candela settings in one unit, providing flexibility and ensuring compliance with NFPA requirements for sleeping rooms across a wide range of ceiling heights.

The Sounder/Strobe is listed for wall installations, and easily fits on double gang boxes and 4" square boxes. The innovative design supports seamless operation on both VDC and VFWR, providing dual power compatibility for versatile application.

When connected to a compatible control equipment, the FHS-400-LF Series audible devices remain synchronized with all MGC audible signals on the same Notification Appliance Circuit, including standard frequency MGC 400 Series audible signals.

The MGC FHS-400-LF Sounder/Strobe is listed to UL/ULC standards for Audible Signaling Devices for Fire Alarm systems and Visible Signaling devices for Fire Alarm systems and Signaling Devices for the Hearing Impaired.

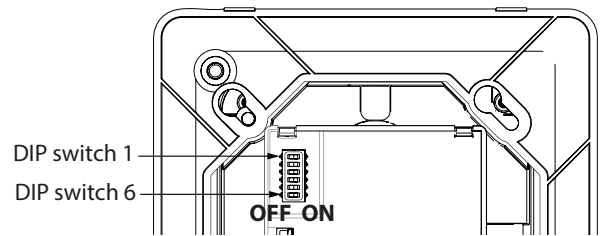
## Features

- **Comprehensive Compliance:** Fully meets NFPA 72 Fire and CO low frequency sounder codes.
- **Optimal Alarm Tone:** Emits a 520 Hz  $\pm$  10% square wave tone.
- **Customizable Audible Patterns:** Features DIP switches for easy tone setting adjustments.
  - Temporal 3 (T3) for Fire
  - Temporal 4 (T4) for CO
  - Continuous
  - 20 BPM
- **Multiple Candela settings:** Standard and High Candela settings in one single unit.
  - o 15, 15/75, 30, 75, 110, 185 cd
- **Easy Installation:** Mounts on double gang boxes or 4" square boxes.
- **Dual Power Compatibility:** Engineered to operate seamlessly on both VDC or VFWR.
- Synchronization available with MGC Protocol or through external sync module for compatibility with any UL/ULC FACU or PSU.
- Supports 12 to 22 AWG
- Indoor Use Only

## Agency Listings

- UL 464
- UL 1971
- UL 1638
- ULC S525
- ULC S52

## Audible Settings



DIP switches located at the bottom of the device for audible tone, volume, and synchronization settings.



CATALOG NUMBER

**5370**

# Specifications

## General Specifications

Operating temperature	0°C to 50°C (32°F to 122°F)
Humidity Range	0% to 93%
Frequency Range:	520Hz ± 10%
Strobe Flash Rate	1Hz
Nominal Voltage	Regulated 24 VDC / 24 VFWR
Operating Voltage Range (RMS)	16 – 33 VDC / VFWR
Input Terminal Wire Gauge	22 AWG to 12 AWG
Installation Environment	For Indoor Use Only

## Audible Ratings

Overall Sound Pressure Level (Reverberant) @ 10 feet (dBA)

### Sound Output Level (dBA)

Voltage	Normal	High
16 VDC	78	81
24 VDC	78	81
33 VDC	79	81
16 VFWR	79	81
24 VFWR	79	82
33 VFWR	79	82

## Directional Sound Characteristics

Horizontal	
± 87°	-3 dbA
± 90°	-5.1 dbA
Vertical Axis	
± 90°	-3 dbA

## FHS-400-LF Operating RMS Currents (mA) @ Normal setting

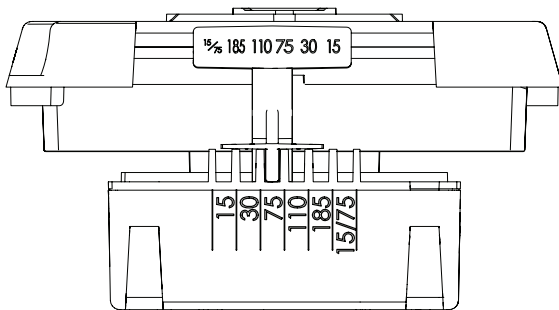
Strobe Output (cd)	15	30	75	15/75	110	185
<b>Temporal</b>						
16 VDC	266	242	307	298	320	400
24 VDC	219	196	247	251	255	305
33 VDC	208	169	225	230	230	272
16 VFWR	277	302	380	297	440	430
24 VFWR	258	239	282	287	370	356
33 VFWR	235	184	242	251	247	327
<b>Continuous</b>						
16 VDC	278	245	315	301	318	399
24 VDC	245	206	271	280	245	300
33 VDC	218	175	228	229	207	257
16 VFWR	303	268	360	317	360	450
24 VFWR	300	245	321	306	319	352
33 VFWR	256	173	259	283	279	331

## Light Output Dispersion

Degrees	% of Candela Setting	
	Horizontal Dispersion	Vertical Dispersion Wall to Floor
± 0°	149	148
± 5°	146	149
± 10°	143	153
± 15°	138	135
± 20°	134	104
± 25°	128	101
± 30°	123	94
± 35°	116	92
± 40°	106	84
± 45°	99	75
± 50°	92	68
± 55°	87	65
± 60°	82	61
± 65°	78	58
± 70°	75	54
± 75°	73	49
± 80°	72	43
± 85°	81	40
± 90°	53	30
Compound ± 45°	42	

## Candela Settings

The candela can be set to 15, 30, 75, 15/75, 110 and 185. The factory default setting is 15 and the candela selector is at the back of the device.

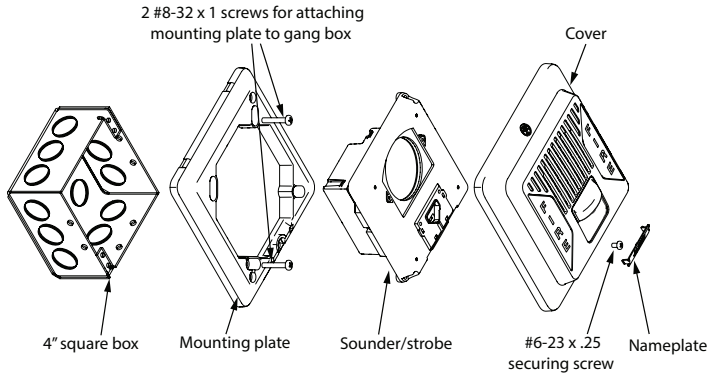


## Mounting to the Wall or Ceiling

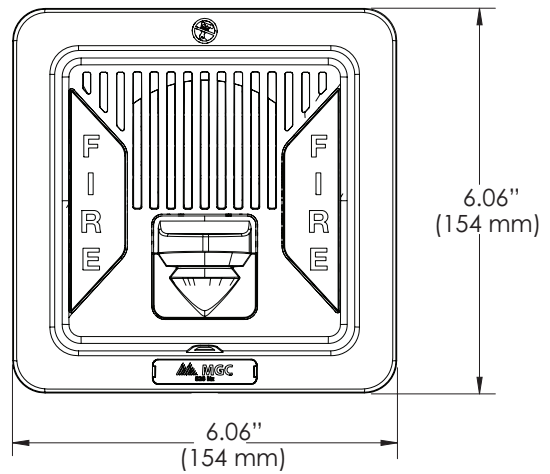
MGC recommends spacing notification appliances in compliance with CAN/ULC S524 and NFPA 72.

When mounting the device on the wall, mount the unit with the MGC logo at the bottom. The appliance is compatible with double gang or 4" square boxes.

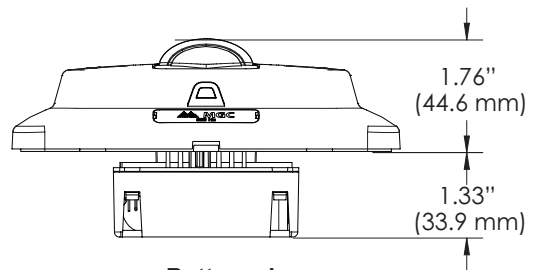
Note: Image for Reference only, go to Installation Manual LT-6787 for additional information



## Dimensions



Front view



Bottom view

## Ordering Information

Model	Description
FHS-400-LF-RR	Red Wall/Ceiling Mount Low Frequency Sounder Strobe
FHS-400-LF-WW	White Wall/Ceiling Mount Low Frequency Sounder Strobe
MIX-4050	Mircom Synchronization Module
MRI-4050	Secutron Synchronization Module



Canada

25 Interchange Way Vaughan, ON L4K 5W3  
Telephone: (905) 660-4655 | Fax: (905) 660-4113

U.S.A.

4575 Witmer Industrial Estates Niagara Falls, NY 14305  
Toll Free: (888) 660-4655 | Fax Toll Free: (888) 660-4113

www.mircom.com



This document is provided by Mircom Technologies Ltd., MGC Systems Corp., or their affiliates, subsidiaries and brands, for convenience or marketing only and does not describe products or services technically. For technical information refer to technical manuals. We do not make representations or warranties regarding this information, including as to completeness or accuracy. We may change these contents at any time and reserve all rights in the contents, including copyrights, trademarks and other intellectual property. All other trademarks and registered trademarks are properties of their respective owners.

CAT. 5370

Page 3 of 3

Rev. 1