

### Features

- Four Class A/B (Style Z/Y) Indicating Circuits
- Each Indicating Circuit is rated at 1.7 Amps
- Each Indicating Circuit can be configured as Non-Silenceable (Steady) or Silenceable
- Outputs resound on subsequent alarm
- LEDs (Amber) provided for indication of Indicating Circuit trouble
- Programmable to any input circuit
- All circuits are power limited for use with limited energy cable
- Removable terminal blocks for ease of wiring and servicing
- Extensive transient protection on all circuits

### General

The SGM-1004A Module provides the FA-1000 or FX-2000 Series Fire Alarm Control panels with up to 4 Class A or B (Style Z or Y) Indicating Circuits.

### Applications

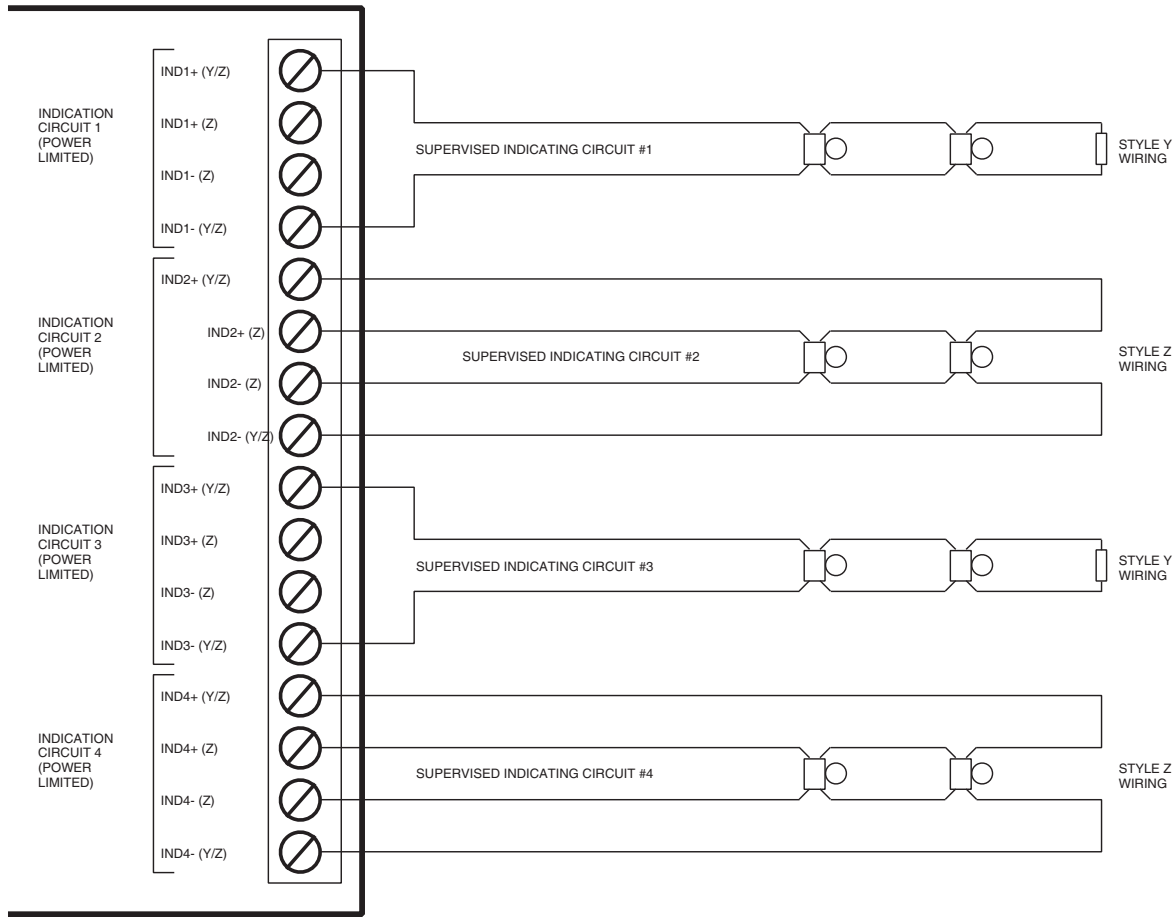
The SGM-1004A provides up to four indicating circuits each rated at 1.7 Amps to signal devices such as strobes, bells, horns, etc. Each of the indicating circuits can be configured as non-silenceable (steady) or silenceable. In addition each circuit comes with an individual trouble indicator. All circuits are power limited for use with limited energy cable. The SGM-1004A is jumper selectable for individual circuit signal silence. In addition it has terminals for a bell cut relay.

### Installation

The SGM-1004A consists of a PC board which mounts at the bottom of the chassis. The PC board is connected via cables to the board on the main chassis. Space is provided on the dress panel allowing the application of slide-in labels for indicating zone description. Labels are provided with each chassis. Removable terminal blocks are provided for easy connection of field wiring and servicing.



# Typical Wiring Diagram



LEGEND: SEE APPENDIX FOR COMPATIBLE DEVICES.

NOTES: ALL POWER LIMITED CIRCUITS MUST USE TYPE FPL, FPLR, OR FPLP POWER LIMITED CABLE.  
SGM-1004(A) INDICATING CIRCUITS ARE FULLY SUPERVISED AND RATED FOR 24 VDC UNFILTERED 1.70AMP MAX. THEY MUST BE WIRED AS SHOWN IN THE WIRING TABLES.



BELL, HORN, OR STROBE

3.9K 1/2W ELR LISTED S5434  
MODEL MP-300 MANUFACTURED BY MIRCOM

## Technical Specifications

Output Voltage .....	24 VDC Unfiltered
Standby Current.....	35 mA
Alarm Current (unloaded) .....	150 mA
Output Current per Zone - Power Limited .....	1.7 Amp
End of Line Resistor .....	3.9K ohm ±5%, ½ W

NOT TO BE USED FOR INSTALLATION PURPOSES.



**Canada**  
25 Interchange Way  
Vaughan, Ontario L4K 5W3  
Telephone: (905) 660-4655  
Fax: (905) 660-4113

**U.S.A.**  
4575 Witmer Industrial Estates  
Niagara Falls, NY 14305  
Toll Free: (888) 660-4655  
Fax Toll Free: (888) 660-4113

Web page: <http://www.mircom.com> Email: [mail@mircom.com](mailto:mail@mircom.com)

Distributed by:

ISO 9001:2008  
REGISTERED



CAT. 5623  
Rev. 5