



MS-710IDU  
Intelligent Addressable  
Dual Action Manual Station



MS-701UD  
Intelligent Addressable  
Single Action Manual Station

## Features

- Single or Dual Action
- Key resettable
- Permanently Attached Intelligent Addressable Module
- High-gloss red enamel finish
- Plastic breakrod
- Mounts on standard single gang box, Mircom's BB-700 surface metal backbox or BB-700WP weather proof backbox
- Available in English and Bilingual versions

## Description

Mircom's MS-700ID Series Intelligent Fire Alarm Manual Stations are made of a high quality, die-cast metal and are available in either single or dual action configurations with one or two permanently attached addressable modules.

The addressable manual station has DIP switches which allow for address setting. Pulling the handle initiates the operation of the addressable module.

All models are available with CAT-30 keys and mount on a standard single gang backbox, Mircom model BB-700 interior surface metal backbox, or BB-700WP weather proof backbox.

## Operation

The MS-700ID Series is operated by pulling the handle on the front of the station. The unit is reset by opening the station with the key, placing the handle in the normal upright position and relocking the station. On the dual action models, the push bar rotates inward allowing the Manual handle to be grasped in a one handed motion.

## Specifications

The manual station shall be Mircom's MS-700ID Series. Operating instructions shall be in raised English or English and French lettering and the unit shall be constructed of high quality die-cast metal and finished in red enamel paint to provide quick identification. Pulling the handle shall initiate immediate operation of the intelligent addressable module. In addition, those stations installed in a two stage system shall come equipped with an internal key switch designed to operate the 2<sup>nd</sup> stage alarm initiating circuit.

All manual fire alarm stations shall be installed to comply with the Canadian Electrical Code (CSA 22.1) and CAN/ULC-S524-01 Standard for Installation of Fire Alarm Systems. Final acceptance is subject to the local authority having jurisdiction.



## Specifications

**Switch Rating:**

1 Amp @ 30 VDC  
0.1 Amp @ 125 VAC

**Manual Station Dimensions:**

4.9" H x 3.5" W x 2.0" D

**Color:**

Red with raised white letters, white Manual bar with raised black letters.

## Surface Mount Backboxes



**BB-700 Surface Mount Backbox**

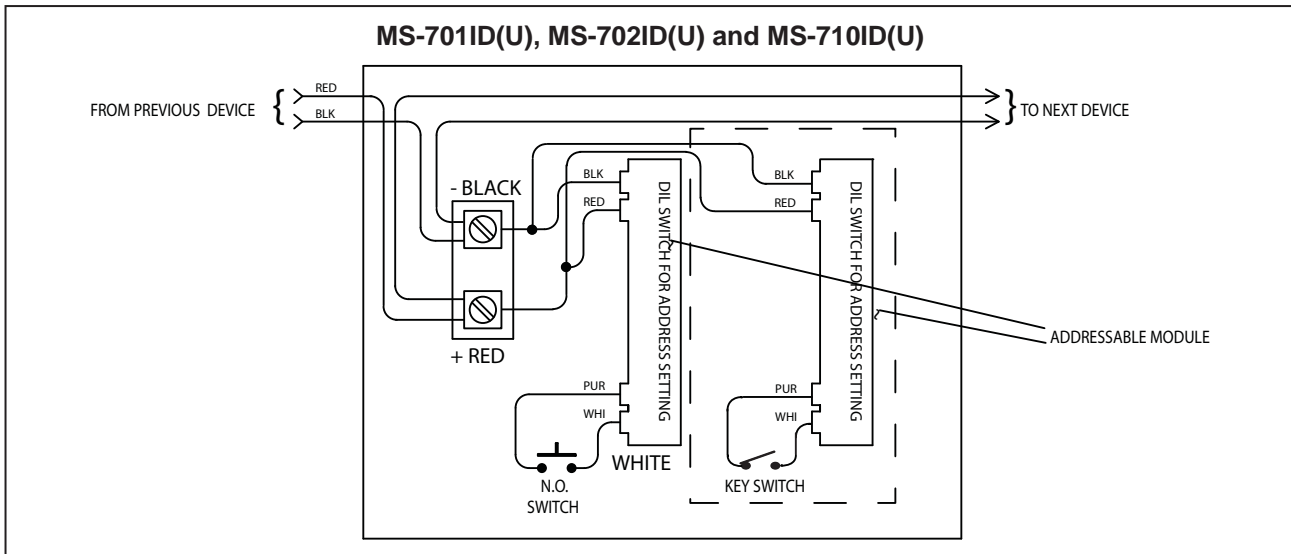
**Dimensions:**  
5" H x 3.6" W x 2.0" D



**BB-700WP Weatherproof Surface Mount Backbox**

**Dimensions:**  
5" H x 3.6" W x 2.2" D

## Typical Wiring Diagram



## Ordering Information

Model	Description
MS-701ID	Alpha Intelligent Addressable Key Resettable Single Action Single Stage Manual Station (Bilingual)
MS-702ID	Alpha Intelligent Addressable Key Resettable Single Action Two Stage Manual Station (Bilingual)
MS-710ID	Alpha Intelligent Addressable Key Resettable Dual Action Single Stage Manual Station (Bilingual)
<i>Note: Add suffix "U" for English only models.</i>	
BB-700	Series 700 Interior Surface Mount Backbox, Red Finish
BB-700WP	Series 700 Weatherproof Surface Mount Backbox, Red Finish

NOT TO BE USED FOR INSTALLATION PURPOSES.



**Canada**

25 Interchange Way  
Vaughan, Ontario L4K 5W3  
Telephone: (905) 660-4655  
Fax: (905) 660-4113

**U.S.A.**

4575 Witmer Industrial Estates  
Niagara Falls, NY 14305  
Toll Free: (888) 660-4655  
Fax Toll Free: (888) 660-4113

Web page: <http://www.mircom.com> Email: [mail@mircom.com](mailto:mail@mircom.com)

Distributed by:

ISO 9001:2008  
REGISTERED



CAT. 5678  
Rev. 2