



RTI-265  
Remote Trouble Indicator



RAM-265  
Remote LED Annunciator

## Description

Mircom's FA-260 Series Remote Annunciators are designed to provide LED annunciation. The remote annunciators consist of the RTI-265 Remote Trouble Indicator and the RAM-265 Remote LED Annunciator.

The RTI-265 Remote Trouble Indicator provides remote trouble annunciation for the FA-260 Series fire alarm control panels. The RTI-265 is equipped with an AC On LED, Common Trouble LED and a Trouble Silence push button. The Remote Trouble Indicator mounts in a single gang outlet box.

The RAM-265 Remote LED annunciator provides remote alarm and trouble annunciation for the FA-260 Series fire alarm control panels. The RAM-265 is equipped with an AC On LED, Common Trouble LED, a Trouble Silence push button and five alarm and supervisory LED/zones. The Remote LED Annunciator mounts in a double gang outlet box.

A maximum of four RTI-265 and four RAM-265 units can be connected to each FA-260 Series fire alarm control panel.

## Features

- Green AC ON indicator
- Yellow Common Trouble indicator
- Trouble Silence pushbutton
- Lamp Test function

### RTI-265 Remote Trouble Indicator

- Single gang mounting
- Alarm current: 25 mA max.
- Dimensions: 2¾" x 4½" (70 mm x 115 mm)

### RAM-265 Remote LED Annunciator

- Alarm current: 40 mA max.
- Double gang mounting
- Dimensions: 4½" x 4½" (115 mm x 115 mm)
- Five Alarm & Supervisory LED/Zones

## Operation

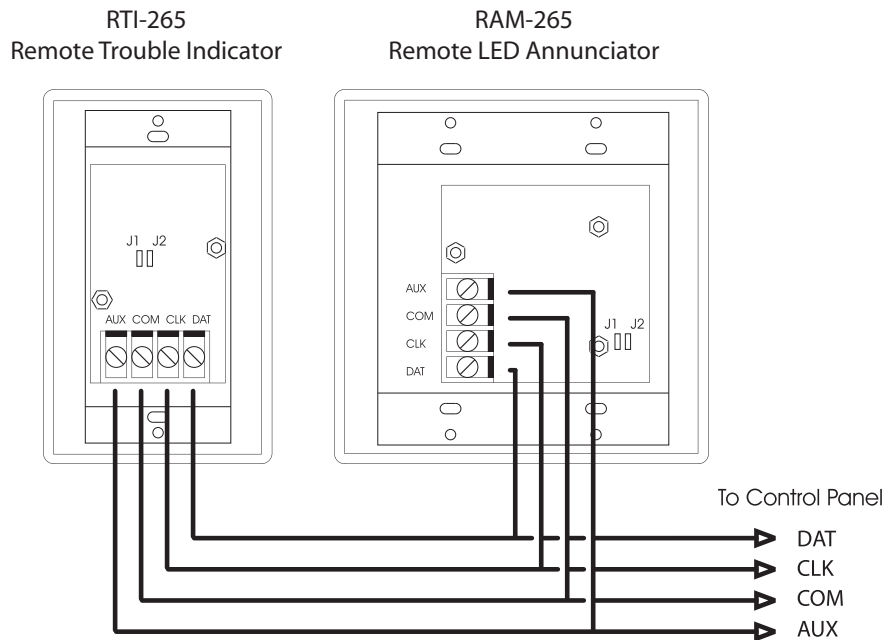
The AC and Trouble LEDs on the remote units follow the control panel AC and Trouble LEDs. Pressing the Trouble Silence switch at the panel or at any remote unit will silence the trouble buzzer at the panel and all remote units.

Zone indicators on the RAM-265 Remote LED Annunciator follow the zone indicators of the control panel. The red LED will operate if the panel zone is programmed for 'ALARM' and the yellow LED will operate if the panel zone is programmed for 'SUPERVISORY'.

The Lamp Test is initiated by pressing and holding the Trouble Silence push button for ½ second. The LEDs will flash until the button is released.



## Typical Wiring Diagram



## Ordering Information

Model	Description
RTI-265	Remote Trouble Indicator
RAM-265	Five Zone Remote Annunciator

NOT TO BE USED FOR INSTALLATION PURPOSES.

 **Mircom**<sup>TM</sup>

**Canada**

25 Interchange Way  
Vaughan, Ontario L4K 5W3  
Telephone: (905) 660-4655  
Fax: (905) 660-4113

**U.S.A.**

4575 Witmer Industrial Estates  
Niagara Falls, NY 14305  
Toll Free: (888) 660-4655  
Fax Toll Free: (888) 660-4113

Web page: <http://www.mircom.com> Email: [mail@mircom.com](mailto:mail@mircom.com)

Distributed by:

ISO 9001:2008  
REGISTERED



CAT. 5683  
Rev. 1