



## Features

- 25 & 70 volt line matching transformers
- High dBA output (over 90 dBA at 10 feet @ 2 watts)
- D.C. blocking capacitor for line supervision
- Terminal block connection for speaker tap/output selection
- Multiple output taps. Selection for ¼, ½, 1 or 2 watts
- Moisture resistant
- Fire retardant cone material
- Factory assembled and tested
- Each speaker is equipped with a ground wire
- White speaker baffle
- Easily mounts over existing apartment intercom suite stations

## Description

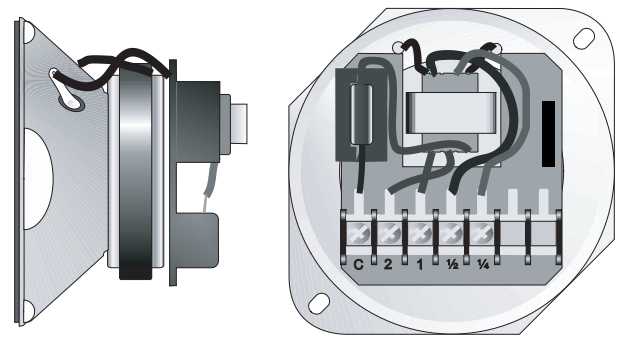
Mircom's SP-304A-25W and SP-304A-70W are retrofit speakers designed for broadcasting high quality tone signals and are ideal for alarm signaling in hotels, malls, apartments and other areas where attractive appearance and dependable performance are prime concerns.

The SP-Series 4" Retrofit Speakers consist of a loudspeaker, 6 oz. magnet, a low profile constant voltage line matching transformer, a D.C. blocking capacitor and an all steel speaker baffle finished in an off white colour. The 25 and 70 volt transformers are of the matching type and include output power taps of ¼, ½, 1 and 2 watt(s). Tap selection is made by wiring into the appropriate slot on the speaker's terminal block.

The SP-Series 4" Retrofit Speakers mount over existing apartment intercom suite stations. The suite stations that can be used are Mircom/Mirtone IS-400 Series stations, Canadian Sound and Signal's CS-10W and Couch intercom suite stations.

Mircom's fire alarm speakers are specially designed for high quality emergency fire alarm signals and voice communications. These units must be used with Mircom's QX-5000 Voice Evacuation system or with any voice alarm equipment approved by Underwriters Laboratories of Canada (ULC).

## Wiring Instructions



Desired wattage is selected by wiring into the corresponding terminal on the speaker terminal block.



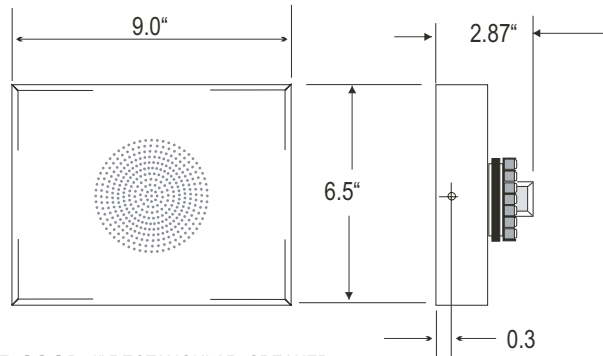
## Speaker Specifications

MODEL NUMBER	SPEAKER VOLTAGE	SPEAKER dBA 10 FT.				BAFFLE SHAPE
		WATT TAP		TYPICAL dBA		
		¼ WATT	½ WATT	1 WATT	2 WATT	
SP-304A-25W	25	85	86	89	91	RECTANGLE
SP-304A-70W	70	85	86	89	91	RECTANGLE

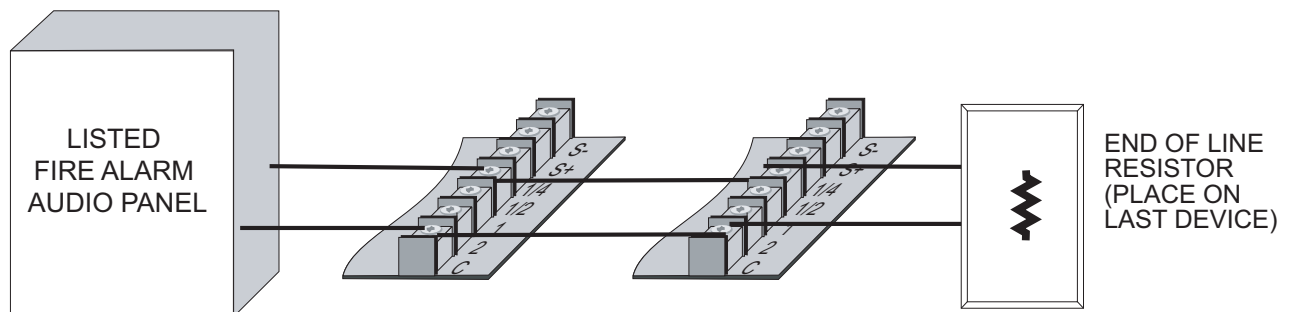
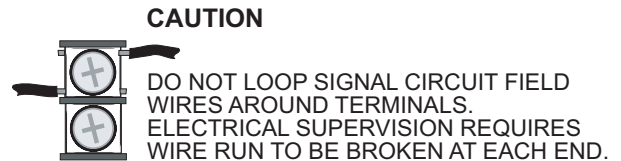
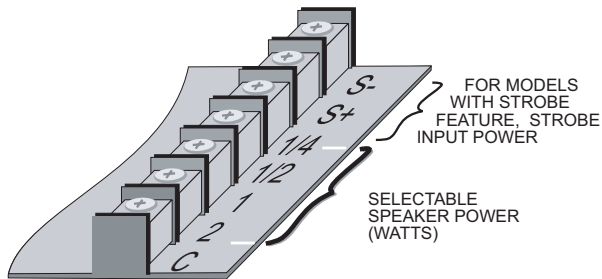
dBA Sound Pressure Level is measured using the transformer tap shown at a distance of 10 feet (3 meters). This measurement is obtained in accordance with ULC Standard CAN/ULC-S541-M87.

**NOTE: All Mircom enclosures are equipped with a ground screw hole. Each speaker unit is equipped with a ground wire.**

## Installation Instructions



**SP-304A** 4" RECTANGULAR SPEAKER



NOT TO BE USED FOR INSTALLATION PURPOSES.

**Mircom**

Canada  
25 Interchange Way  
Vaughan, Ontario L4K 5W3  
Telephone: (905) 660-4655  
Fax: (905) 660-4113

U.S.A.  
4575 Witmer Industrial Estates  
Niagara Falls, NY 14305  
Toll Free: (888) 660-4655  
Fax Toll Free: (888) 660-4113



Distributed by:

