

Description

The SDM-240 Sync Module is designed to work with Mircom's 240, 340 and 400 Series Notification Appliances to provide a synchronized temporal pattern (code 3) tone, synchronize the strobe flashes and silence the horn while maintaining the strobe flashes.

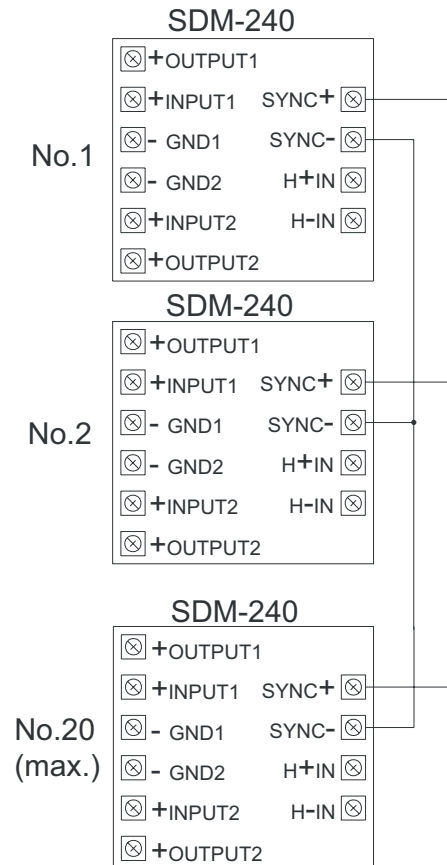
The SDM-240 has the capability of connecting two Style Y (Class B) circuits or one Style Z (Class A) circuit and is rated for 3 Amperes per circuit.

The SDM-240 can be interconnected so that more than two alarm zones can be synchronized by connecting the SYNC terminals (daisy chain connection). The maximum number of interconnected modules is twenty. All inputs are polarized for compatibility with standard reverse polarity supervision of circuit wiring by the fire alarm control panel.

Features

- Polarized with wide operating voltage range using filtered
- DC or unfiltered FWR input voltage
- Mounts onto 4" square back box
- Daisy chain up to 20 modules maximum
- Screw terminal capacity up to 12 AWG
- Red metal plate

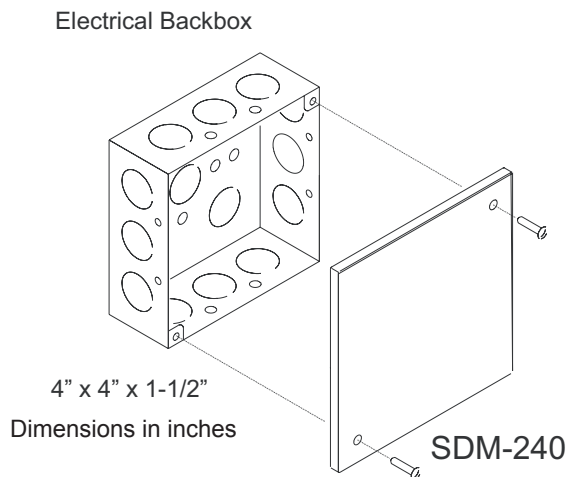
Daisy Chain Wiring Diagram



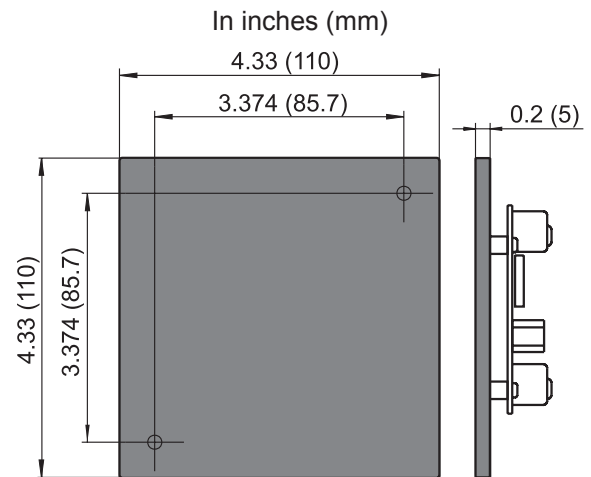
Specifications

Input Voltage		Regulated 24V DC/FWR
Operating Voltage Range		16 ~ 33V DC/FWR
Maximum Load on Loop		3A Average Max. 5A Peak
Max. RMS Operating Current	DC	34mA
	FWR	68mA
Mounting Backbox		4" x 4" x 1½"
Operating Temperature Range		32°F ~ 120°F (0°C ~ 49°C)

Mounting Options



Dimensions



Ordering Information

Model Number	Description
SDM-240	Sync Module

NOT TO BE USED FOR INSTALLATION PURPOSES.



Canada
25 Interchange Way
Vaughan, Ontario L4K 5W3
Telephone: (905) 660-4655
Fax: (905) 660-4113

U.S.A.
4575 Witmer Industrial Estates
Niagara Falls, NY 14305
Toll Free: (888) 660-4655
Fax Toll Free: (888) 660-4113

Web page: <http://www.mircom.com> Email: mail@mircom.com

Distributed by:

ISO 9001:2008
REGISTERED



CAT. 5714
Rev. 7