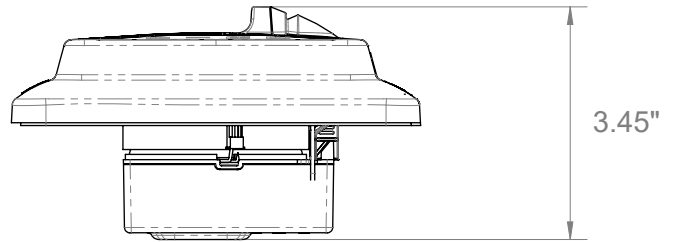
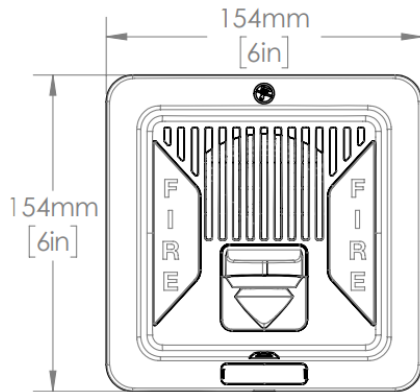


Dimensions

Wall Speaker Strobe



Ordering Information

Model	Description
SPP-204-25	Wall mounted speaker 25V White
SPP-204-70	Wall mounted speaker 70V White
SPP-204-25R	Wall mounted speaker 25V Red
SPP-204-70R	Wall mounted speaker 70V Red
SPPS-204-25	Wall mounted speaker strobe 25V White
SPPS-204-70	Wall mounted speaker strobe 70V White
SPPS-204-25R	Wall mounted speaker strobe 25V Red
SPPS-204-70R	Wall mounted speaker strobe 70V Red



Canada
 25 Interchange Way
 Vaughan, Ontario L4K 5W3
 Telephone: (905) 660-4655
 Fax: (905) 660-4113

U.S.A.
 4575 Witmer Industrial Estates
 Niagara Falls, NY 14305
 Toll Free: (888) 660-4655
 Fax Toll Free: (888) 660-4113



THIS INFORMATION IS FOR MARKETING PURPOSES ONLY AND NOT INTENDED TO DESCRIBE THE PRODUCTS TECHNICALLY.

For complete and accurate technical information relating to performance, installation, testing and certification, refer to technical literature. This document contains intellectual property of Mircom. The information is subject to change by Mircom without notice. Mircom does not represent or warrant correctness or completeness.