



Description

The QX-mini is an emergency and fire alarm audio system designed to provide notification for small to medium applications. The QX-mini supplies 30W for audio output and 5A for Notification Appliance Circuits (NAC). The optional 30 Watt Amplifier Module increases audio output to 60W.

Notifications can be sent using stored digital message recordings, the master microphone, or remote microphones. The QX-mini comes with standard notifications and can store up to 14 messages for a total of 12 minutes of digital message recordings.

Enter up to six remote microphones and/or LOCs can be connected to the QX-mini.

The QX-mini operates either as a stand-alone audio system or as part of a fire alarm system. Conventional fire alarm systems control the QX-mini with relays. Mircom compatible Fire Alarm Control Panels can control the QX-mini using Signalling Line Circuit (SLC) using CLIP or MGC Protocol.

Optional Booster Panels provide support for a distributed system. These Booster Panels act as true slaves to the master with respect to Outputs. All Inputs, Microphones and User interfaces are disabled on Booster Panels and they cannot be programmed through the configuration software. Up to five Booster Panels can be connected to a QX-mini.

One splitter QAS-2X8 can be added to QX-MINI or QX-MINI-BP.

- When adding splitter to QX-MINI or QX-MINI-BP that has only one amplifier, one speaker circuit will go to the one splitter input and the other splitter input remains unused. In this case QX-MINI or QX-MINI-BP will have 8 + 1 channels.
- When adding splitter to QX-MINI or QX-MINI-BP that has two amplifiers, one speaker circuit (from each amplifier) will go to a different input of the splitter. This way the panel can play 2 different messages on different channels at the same time. Also, the panel will have 8 + 2 channels.

Features

- Signalling Line Circuit (SLC) input for activation and communication with Mircom compatible Fire Alarm Control Panels
- Supports multiple intelligent input activation protocols:
 1. MGC Protocol
 2. Classic Loop Interface Protocol (CLIP)
- Low frequency signalling is available with compatible speakers
- Compatible with wide range of speakers and strobes
- Up to 60 watts per enclosure (2 X 30W amplifiers) and up to 360 watts per system
- 2 X 2.5A regulated 24V output for horns and strobes (NAC). System expandable to 12 X 2.5A
- Class A or Class B Speaker and NAC wiring
- Field selectable 25V or 70V audio output
- Comes with standard digital messages for fire, emergency, evacuation, weather, and all clear
- Select from up to 14 digital messages at the panel
- Custom message upload using the software configurator
- Stores up to 12 minutes of audio messages
- Master microphone input with push-to-talk (PTT)
- Supports up to 6 remote microphones and/or LOCs
- Use as a separate audio system or as part of a fire alarm system
- Two supervised inputs for activation by conventional fire alarm systems using relays
- Two strobe inputs for synchronization and activation
- Battery backup (up to 18 Ah in cabinet and up to 75 Ah with a separate battery cabinet)
- Dedicated Trouble, AC Fail, and Alarm relay outputs
- Audio system supports up to 6 panels in total (one Master Panel with 5 Booster Panels)
- 12 expandable up to 36 Programmable Switches
- Auxiliary 24V supply (up to 0.2A)

Accessories

- Amplifier Module
- Audio amplifier Splitter
- 24 zone selector with a QAZT-5302DS controller

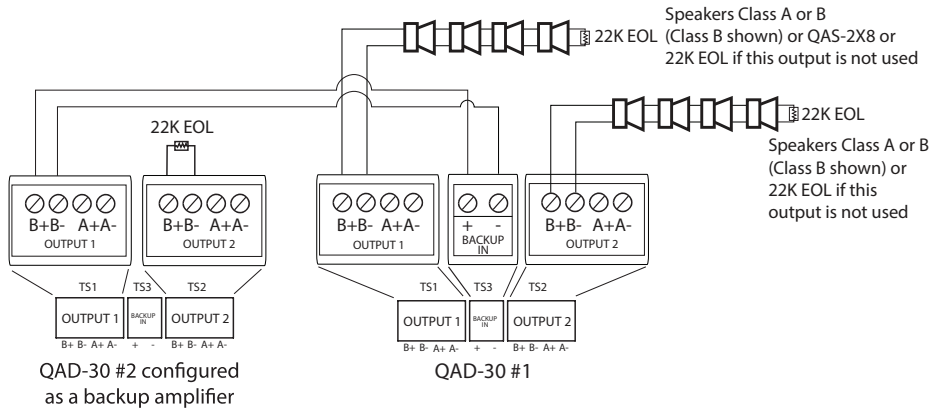
Expansion Modules

- Booster Panel
- Remote Microphone
- LOC



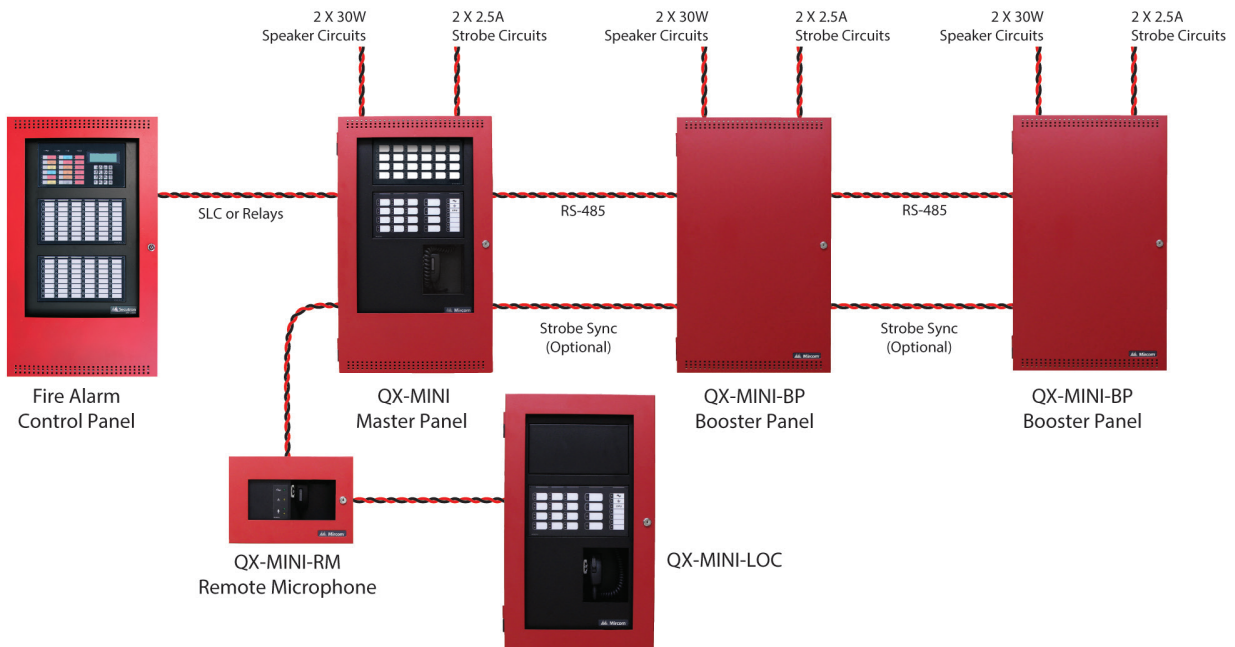
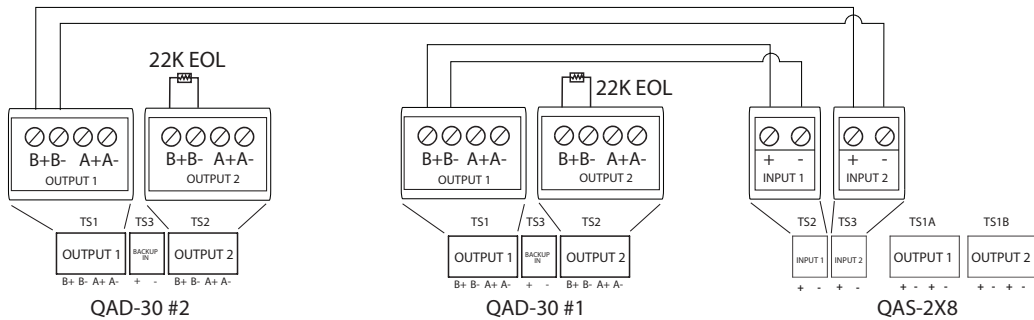
Backup Amplifier with QAS-2X8 Audio Amplifier Splitter

When there are 2 amplifiers installed, one of them can be configured as a backup. If the main amplifier fails, the backup amplifier takes over.



Up to 8 Audio Outputs with 2 different audio messages per Panel with QAS-2X8 Audio Amplifier Splitter

When connecting 2 amplifiers to the audio zone splitter in an application where each amplifier plays a different audio message. For example, one amplifier can provide an alarm signal to a zone, and the other amplifier can provide an alert signal to the other zones. This configuration provides 8 outputs. The 8 outputs can select from amplifier 1, amplifier 2, or they can be off.



Example audio system with a FACP, a QX-MINI Master Panel, two Booster Panels, and two Remote Microphones.

Specifications

Dimensions	
26"H x 14.5"W x 4.2"D	
AC Line Voltage	
120V @ 60Hz / 240V @ 50Hz (3.1 Amps / 1.57 Amp)	
Output	
30W audio (60W max.) and 2 X 2.5A NAC (5A max.)	
Battery	
24VDC, Gel-Cell/Sealed Lead-Acid	
Charging Capability	
Up to 75AH charge capacity	
Current Consumption	
Standby: 215mA	Alarm: 220mA

Indicators	
AC Power Ground Fault CPU Fault Message Active	Alarm Active Pretone Active Page Ready
Controls	
Zone Select (4) Message Select (8) All Call	Selection Reset Lamp Test Trouble Silence
Compatibility	
UL/ULC listed Fire Alarm Control Panels	

Ordering Information

Model	Description
QX-MINI	Master Panel: Microphone, Main Display, Main Board, 1 x 30W Amplifier, Deadfront, Red Door, Backbox, Back Plate, Transformer
QX-MINI-BP	Booster Panel: Outer Red Door, Main Board (acting in slave mode), 1 x 30W Amplifier, Backbox, Back Plate, Transformer
QX-MINI-RM	Remote Microphone: Backbox, Red Door, Microphone, RMIC PCB
QX-MINI-LOC	Local Operating Console: Main Display, Microphone, RMIC PCB, Deadfront, Backbox, Red Door
QAD-30	30 Watt Amplifier Module
QAZT-5302DS	24 Zone Controller
QAS-2X8	Audio Amplifier Splitter



Canada

25 Interchange Way Vaughan, ON L4K 5W3
Telephone: (905) 660-4655 | Fax: (905) 660-4113

U.S.A.

4575 Witmer Industrial Estates Niagara Falls, NY 14305
Toll Free: (888) 660-4655 | Fax Toll Free: (888) 660-4113

www.mircom.com



This document is provided by Mircom Technologies Ltd., MGC Systems Corp., or their affiliates, subsidiaries and brands, for convenience or marketing only and does not describe products or services technically. For technical information refer to technical manuals. We do not make representations or warranties regarding this information, including as to completeness or accuracy. We may change these contents at any time and reserve all rights in the contents, including copyrights, trademarks and other intellectual property.

CAT. 5810

Rev. 9