



QX-mini

Description

The QX-mini is an emergency and fire alarm audio system designed to provide notification for small to medium applications. The QX-mini supplies 30W for audio output and 5A for Notification Appliance Circuits (NAC). The optional 30 Watt Amplifier Module increases audio output to 60W.

Notifications can be sent using stored digital message recordings, the master microphone, or remote microphones. The QX-mini comes with standard notifications and can store up to

14 messages for a total of 12 minutes of digital message recordings. Up to six remote microphones and/or LOCs can be connected to the QX-mini.

The QX-mini operates either as a stand-alone audio system or as part of a fire alarm system. Conventional fire alarm systems control the

QX-mini with relays. Mircom compatible Fire Alarm Control Panels can control the QX-mini using Signalling Line Circuit (SLC).

Optional Booster Panels provide support for a distributed system. These Booster Panels act as true slaves to the master with respect to Outputs. All Inputs, Microphones and User interfaces are disabled on Booster Panels and they cannot be programmed through the configuration software. Up to five Booster Panels can be connected to a QX-mini.

Features

- Up to 60 watts per enclosure (2 X 30W amplifiers) and up to 360 watts per system
- 2 X 2.5A regulated 24V output for horns and strobes
- (NAC). System expandable to 12 X 2.5A
- Class A or Class B Speaker and NAC wiring
- Field selectable 25V or 70.7V audio output
- Comes with standard digital messages for fire, emergency, evacuation, weather, and all clear
- Select from up to 14 digital messages at the panel
- Custom message upload using the software configurator
- Stores up to 12 minutes of audio messages
- Master microphone input with push-to-talk (PTT)
- Supports up to 6 remote microphones and/or LOCs
- Use as a separate audio system or as part of a fire alarm system
- Two inputs for activation by conventional fire alarm systems using relays
- Two strobe inputs for synchronization and activation
- Signalling Line Circuit (SLC) input for activation and communication with Mircom compatible Fire Alarm Control Panels
- Battery backup (up to 75AH charge capacity)
- Dedicated Trouble, AC Fail, and Alarm relay outputs
- Audio system supports up to 6 panels in total (one Master Panel with 5 Booster Panels)
- 12 expandable up to 36 Programmable Switches
- Auxiliary 24V supply (up to 0.2A)
- ULC, UL, CSFM

Accessories

- Amplifier Module
- Audio amplifier Splitter
- 24 Zone Selector

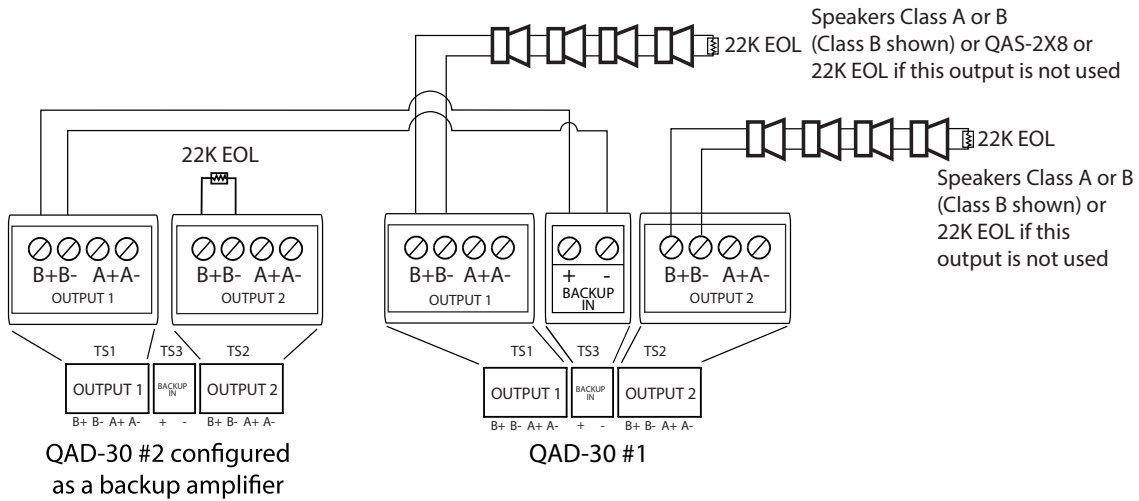
Expansion Modules

- Booster Panel
- Remote Microphone
- LOC



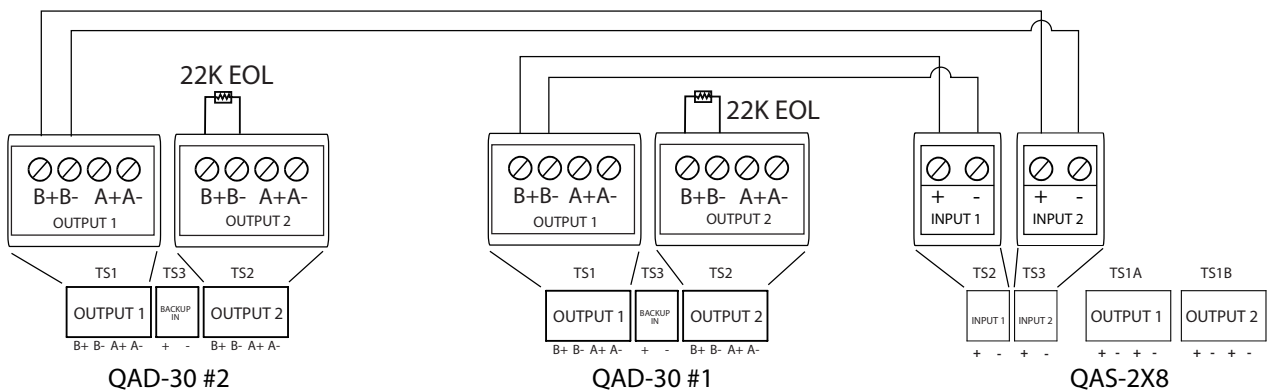
Backup Amplifier with QAS-2X8 Audio Amplifier Splitter

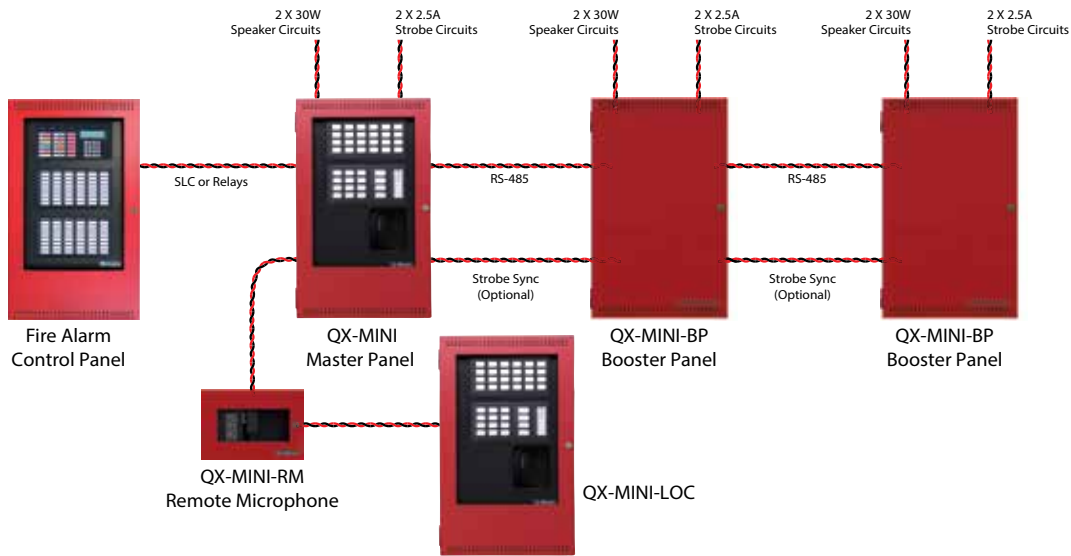
When there are 2 amplifiers installed, one of them can be configured as a backup. If the main amplifier fails, the backup amplifier takes over.



Up to 8 Audio Outputs with 2 different audio messages per Panel with QAS-2X8 Audio Amplifier Splitter

When connecting 2 amplifiers to the audio zone splitter in an application where each amplifier plays a different audio message. For example, one amplifier can provide an alarm signal to a zone, and the other amplifier can provide an alert signal to the other zones. This configuration provides 8 outputs. The 8 outputs can select from amplifier 1, amplifier 2, or they can be off.





Example audio system with a FACP, a QX-MINI Master Panel, two Booster Panels, and two Remote Microphones.

Specifications

Dimensions	
26"H x 14.5"W x 4.2"D	
AC Line Voltage	
120V @ 60Hz / 240V @ 50Hz (3.1 Amps / 1.57 Amp)	
Output	
30W audio (60W max.) and 2 X 2.5A NAC (5A max.)	
Battery	
24VDC, Gel-Cell/Sealed Lead-Acid	
Charging Capability	
Up to 75AH charge capacity	
Current Consumption	
Standby: 215mA	Alarm: 220mA

Indicators	
AC Power	Alarm Active
Ground Fault	Pretone Active
CPU Fault	Page Ready
Message Active	
Controls	
Zone Select (4)	Selection Reset
Message Select (8)	Lamp Test
All Call	Trouble Silence
Compatibility	
UL/ULC listed Fire Alarm Control Panels	

Ordering Information

Model	Description
QX-MINI	Master Panel: Microphone, Main Display, Main Board, 1 x 30W Amplifier, Deadfront, Red Door, Backbox, Back Plate, Transformer
QX-MINI-BP	Booster Panel: Outer Red Door, Main Board (acting in slave mode), 1 x 30W Amplifier, Backbox, Back Plate, Transformer
QX-MINI-RM	Remote Microphone: Backbox, Red Door, Microphone, RMIC PCB
QX-MINI-LOC	Local Operating Console: Main Display, Microphone, RMIC PCB, Deadfront, Backbox, Red Door
QX-MINI-W	Master Panel: Microphone, Main Display, Main Board, 1 x 30W Amplifier, Deadfront, White Door, Backbox, Back Plate, Transformer
QX-MINI-BP-W	Booster Panel: Outer White Door, Main Board, 1 x 30W Amplifier, Backbox, Back Plate, Transformer
QX-MINI-RM-W	Remote Microphone: Backbox, White Door, Microphone, RMIC PCB
QX-MINI-LOC-W	Local Operating Console: Main Display, Microphone, RMIC PCB, Deadfront, Backbox, White Door
QAD-30	30 Watt Amplifier Module
QAZT-5302DS	24 Zone Controller
QAS-2X8	Audio amplifier Splitter



Canada
 25 Interchange Way
 Vaughan, Ontario L4K 5W3
 Telephone: (905) 660-4655
 Fax: (905) 660-4113

U.S.A.
 4575 Witmer Industrial Estates
 Niagara Falls, NY 14305
 Toll Free: (888) 660-4655
 Fax Toll Free: (888) 660-4113



THIS INFORMATION IS FOR MARKETING PURPOSES ONLY AND NOT INTENDED TO DESCRIBE THE PRODUCTS TECHNICALLY.

For complete and accurate technical information relating to performance, installation, testing and certification, refer to technical literature. This document contains intellectual property of Mircom. The information is subject to change by Mircom without notice. Mircom does not represent or warrant correctness or completeness.