

Features

- Unique 'Plug & Play' installation concept
- Simple rotary decade setting
- Anti-Tamper facility
- Enhanced aesthetics and compact design
- Fully approved to the latest standards
- Backward compatibility

Description

The MCP5A Intelligent Call Point is designed to be used with Secutron's Intelligent Fire Alarm Control Panels. It is a dedicated addressable callpoint for installation on a two wire communication circuit providing both signalling of alarm to the monitoring control panel and local LED indication of activation.

The MCP5A provides a unique 'plug and play' concept designed specifically to reduce installation time. The unit utilizes a special terminal block, where all initial installation cabling is terminated. This terminal block is then simply connected to the back of the MCP. Simple, but effective, with no re-termination required and no time wasted.

The MCP5A also provides total 'flex-ability' as it can be configured as either a break glass or resettable unit by simply changing from one element to another. No other additional parts or alternative products need to be ordered.

In addition the MCP5A call point helps preserve the integrity of the overall system as illegal removal of the product lid will result in the call point operating and the system going into alarm.

The MCP5A may be installed as either a flush or surface mounted device in a normal internal environment. It is not intended for use in an externally exposed or hazardous location.

The MCP5A may be flush mounted to compatible electrical boxes.



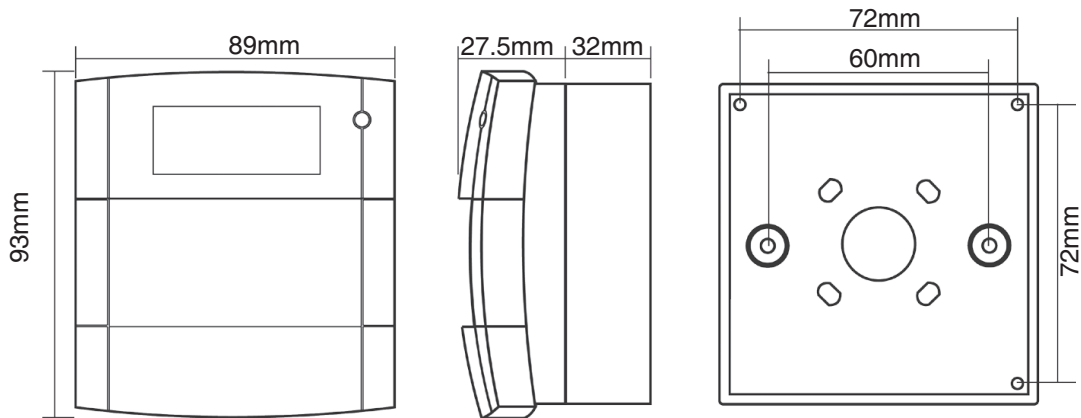
Electrical Specifications

Maximum Voltage
30VDC
Standby Current
400 μ A @ 24VDC (non-isolation) 500 μ A @ 24VDC (isolation)
Operating Current
7.6mA @ 24VDC (non-isolation) 7.6mA @ 24VDC (isolation)

Environmental Specifications

Humidity
0-95% non-condensing
Operating Temperature
-10°C to +55°C
Storage Temperature
-10°C to +55°C
Ingress Protection (IP) Rating
IP24D

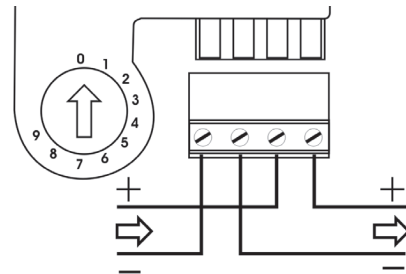
Dimensions



Mechanical Specifications

Material
PC/ABS
Weight
110g Flush 160g Surface
Color
Red, Ral301

Wiring Diagram



Ordering Information

Model	Description
MCP5A-RP01FG-K013-01	Intelligent Call Point
MUS013W	Surface mount red backbox
KG1 x 50	Call Point Break Glass. Package of 50.

NOT TO BE USED FOR INSTALLATION PURPOSES.



Canada
25 Interchange Way
Vaughan, Ontario L4K 5W3
Telephone: (905) 660-4655
Fax: (905) 660-4113

U.S.A.
4575 Witmer Industrial Estates
Niagara Falls, NY 14305
Toll Free: (888) 660-4655
Fax Toll Free: (888) 660-4113

Web page: <http://www.mircom.com> Email: mail@mircom.com

Distributed by:

ISO 9001:2008
REGISTERED



CAT. 5931
Rev. 3