



Description

Mircom's MS-700AP Series Advanced Protocol Intelligent Manual Stations are made of a high quality, die-cast metal and include a permanently attached intelligent module. These intelligent manual stations have a pair of rotary decimal switches which allow for two digit address setting. Pulling the handle initiates the operation of the intelligent module.

The manual stations are available with CAT-30 keys and mount on a standard single gang backbox, Mircom model BB-700 interior surface metal backbox, or BB-700WP weather proof backbox.

The MS-710AP is a dual action manual station with a key reset. The MS-702AP is a single action manual station that includes an additional General Alarm (G.A.) N.O. switch. For safety reasons, the G.A. switch is only accessible after the handle has been pulled. A special key is supplied with each unit.

Mircom's Advanced Protocol (AP) devices use a high speed communication protocol that greatly increases the speed of communication between the intelligent devices. Mircom's Advanced Protocol uses a superior group polling method as well as an interrupt feature that provide for a faster response to an alarm condition. In addition, the Advanced Protocol allows for greater system capacity with support for up to 318 devices per SLC circuit. The AP devices are backwards compatible to operate in CLIP mode for legacy system applications.

Features

- Key resettable
- Permanently attached intelligent addressable module. Two stage model is equipped with an intelligent module that provides two addresses for 1st and 2nd stage operation
- Rotary switches for direct-dial entry of address. Each unit can have address set for 01-159 for Advanced Protocol mode and 01-99 for CLIP mode
- High-gloss red enamel finish
- Plastic break rod
- Meets ADA 5 lb. maximum manual-force
- Mounts on standard single gang box, Mircom's BB-700 surface metal backbox or BB-700WP weather proof backbox
- Bilingual versions

Operation

The MS-710AP Dual Action Intelligent Manual Station is operated by pushing the bar labelled "PUSH BAR" and then pulling down the handle marked "PULL HANDLE". The MS-710AP is reset by opening the station with the key, placing the handle in the normal upright position and re-locking the station. The MS-702AP (two stage version) also provides a key switch which is accessible after the handle has been pulled. Operation of the key switch will initiate the 2nd stage of a two stage alarm signalling system.

Specifications

The manual station shall be Mircom's MS-710AP. Operating instructions shall be in raised English and French lettering and the unit shall be constructed of high quality die-cast metal and finished in red enamel paint to provide quick identification. Pulling the handle shall initiate immediate operation of the intelligent module. In addition, those stations installed in a two stage system shall come equipped with an internal key switch designed to operate the 2nd stage alarm initiating circuit. All manual fire alarm stations shall be installed to comply with the Canadian Electrical Code (CSA 22.1) and CAN/ULC-S524-01 Standard for Installation of Fire Alarm Systems. Final acceptance is subject to the local authority having jurisdiction.



Specifications

Model	MS-710AP	MS-702AP
Dimensions	4.93" H x 3.56" W x 2.9" D	4.93" H x 3.56" W x 2.56" D
Nominal Operating Voltage	15–32 VDC	15–32 VDC
Maximum Alarm Current @ 24V	600 μ A	5.4 mA
Average Operating Current @ 24V	400 μ A	600 μ A

Surface Mount Backboxes



BB-700 Surface Mount Backbox

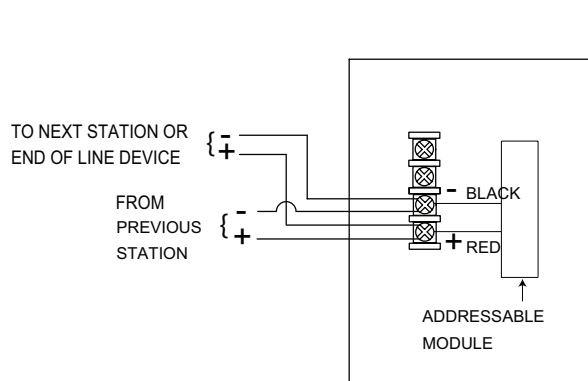
Dimensions:
5" H x 3.6" W x 2.0" D



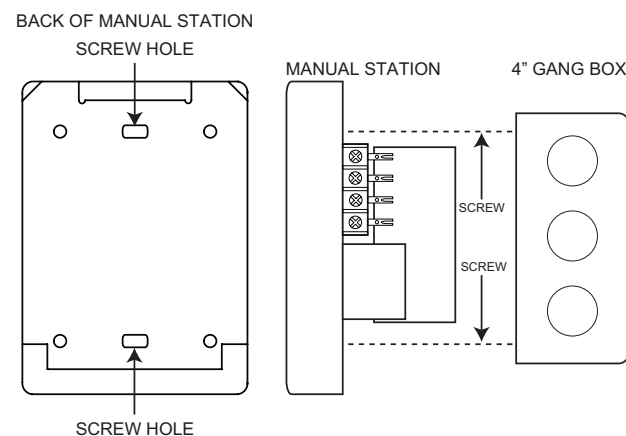
BB-700WP Weatherproof Surface Mount Backbox

Dimensions:
5" H x 3.6" W x 2.2" D

Wiring Diagram



Mounting Diagram



Ordering Information

Model	Description
MS-710AP	Advanced Protocol Intelligent Key Resettable Dual Action Manual Station, Bilingual
MS-702AP	Advanced Protocol Intelligent Key Resettable Two Stage Manual Station, Bilingual
BB-700	Series 700 Interior Surface Mount Backbox, Red Finish
BB-700WP	Series 700 Weatherproof Surface Mount Backbox, Red Finish

NOT TO BE USED FOR INSTALLATION PURPOSES.



Canada

25 Interchange Way
Vaughan, Ontario L4K 5W3
Telephone: (905) 660-4655
Fax: (905) 660-4113

U.S.A.

4575 Witmer Industrial Estates
Niagara Falls, NY 14305
Toll Free: (888) 660-4655
Fax Toll Free: (888) 660-4113

Web page: <http://www.mircom.com> Email: mail@mircom.com

Distributed by:

ISO 9001:2008
REGISTERED



CAT. 5956
Rev. 0