



Description

Mircom's MS-700MP(U) Series Fire Alarm Manual Stations provide manual fire alarm activation. These pull stations are available as single or dual-action devices. They are reset with a key. Each station has a permanently attached MP (Mircom Protocol) addressable module.

Compatible with FX-400 series and FleX-Net™ MP Fire Alarm Control Panels.

The MS-700MP Manual stations are constructed of high quality, die-cast metal and finished in red. An abrasion resistant label with large, raised letters provides clear legible instructions.

Addressing is done using the MIX-4090 Device programmer.

The model MS-702MP is the Intelligent Key- Resetable Two Stage Manual Station.

The model MS-710MP(U) is the Intelligent Key- Resetable Single Stage Dual Action Manual Station.

The Suffix "U" indicates a USA version.

All manual fire alarm stations shall be installed as per the specific requirements outlined in the UL/ULC codes, as well as all other applicable national or local codes.

Features

- High quality, die-cast metal.
- Attractive, Low Profile Design
- Built-in intelligent addressable module with Mircom Protocol.
- Pulling the handle initiates the operation of the intelligent module.
- Address is set by the MIX-4090 hand-held device programmer.
- Two stage and single stage dual action version.
- UL and ULC listed version.
- Standard Single Gang Mount
- Device comes with reset key and plastic rod

Operation

Activating the alarm

- On the MS-702MP, pull down the PULL handle.
- On the MS-710MP(U), push in the PUSH bar, then pull down the PULL handle.

Activating the stage two alarm (MS-702MP only)

- Insert the stage two key into the keyhole above the PULL handle, and then turn the key.
- The stage two alarm activates immediately.

Resetting the manual station

- Open the station with the reset key. The switch is now reset.
- Move the PULL handle back to its upright position.
- Close and lock the station.

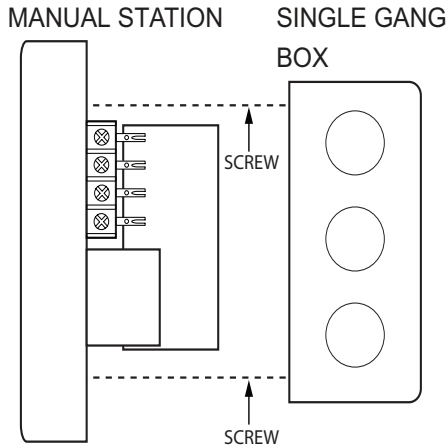
Note: Resetting the station does not cancel the alarm at the panel.



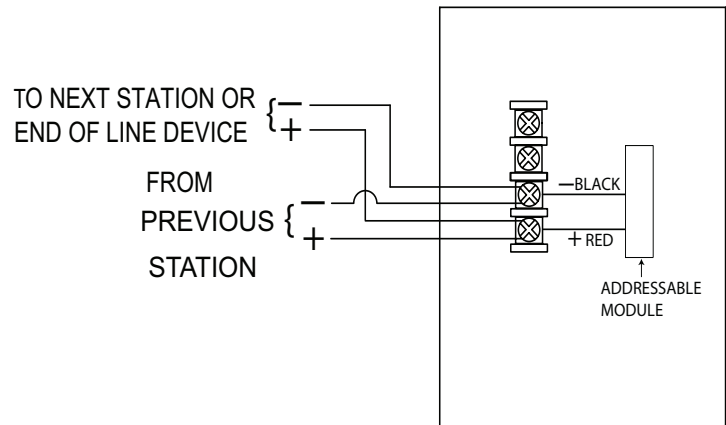
Specifications

	MS-702MP	MS-710MP(U)
Dimensions	4.93" H x 3.56" W x 2.56" D	4.93" H x 3.56" W x 2.9" D
Nominal Operating Voltage	15–30 VDC	
Maximum Alarm Current	3.3 mA	
Standby current	2 mA	

Mounting Diagram



Wiring Diagram



Ordering Information

Model	Description
MS-702MP	Intelligent Key-Resettable Two Stage Manual Station MP- ULC
MS-710MP	Intelligent Key-Resettable Single Stage Dual Action Manual Station MP- ULC
MS-710MPU	Intelligent Key-Resettable Single Stage Dual Action Manual Station MP- UL
MIX-4090	Addressable Device Programming Tool
GL-007K	Optional Plastic Rod



Canada
 25 Interchange Way
 Vaughan, Ontario L4K 5W3
 Telephone: (905) 660-4655
 Fax: (905) 660-4113

U.S.A.
 4575 Witmer Industrial Estates
 Niagara Falls, NY 14305
 Toll Free: (888) 660-4655
 Fax Toll Free: (888) 660-4113



THIS INFORMATION IS FOR MARKETING PURPOSES ONLY AND NOT INTENDED TO DESCRIBE THE PRODUCTS TECHNICALLY.

For complete and accurate technical information relating to performance, installation, testing and certification, refer to technical literature. This document contains intellectual property of Mircom. The information is subject to change by Mircom without notice. Mircom does not represent or warrant correctness or completeness.