



Description

Mircom's MS-400MP(U) Series Fire Alarm Manual Stations provide manual fire alarm activation. These pull stations are available as one stage or two stage stations. On the two stage model, a key switch allows the activation of the stage two alarm.

Compatible with FX-400 series and FleX-Net™ MP Fire Alarm Control Panels.

The MS-400MP Manual stations are constructed of high quality, extruded aluminum and finished in red. An abrasion resistant label with large, raised letters provides clear legible instructions.

Each station has a permanently attached MP (Mircom Protocol) addressable module.

Addressing is done using the MIX-4090 Device programmer.

The model MS-402MP (two stage) is similar to the MS-401MP (single stage) except it contains an additional General Alarm (G.A.) N.O. switch. For safety reasons, the G.A. switch is only accessible after the handle has been pulled. A special key is supplied with each unit.

The model MS-407MP(U) is a single stage manual station with an additional N.C. switch.

The Suffix "U" indicates a USA version.

Features

- High quality, extruded aluminum.
- Attractive, Low Profile Design
- Built-in intelligent addressable module with Mircom Protocol.
- Pulling the handle initiates the operation of the intelligent module.
- Address is set by the MIX-4090 hand-held device programmer.
- Key switch provided for two (2) stage version.
- Standard Single Gang Mount
- Plastic Rod or Break glass Optional

Operation

Activating the alarm

Pulling on the station's handle will release the internal switch to trigger the intelligent addressable module.

Activating the stage two alarm (MS-402MP only)

The MS-402MP(U) (two stage version) also provides a key switch which is accessible after the handle has been pulled. Operation of the key switch will initiate the 2nd stage of a two stage alarm signaling system.

Resetting the Manual Station

Resetting is accomplished by inserting a 1/8" screwdriver from the front. The handle, once pulled will remain open and cannot be reset without utilizing the screwdriver.

Note: Resetting the station does not cancel the alarm at the panel.

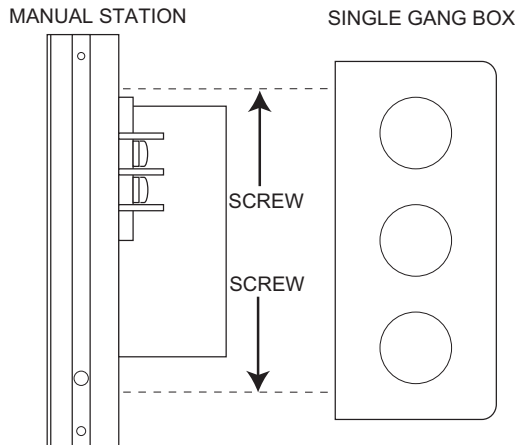
All manual fire alarm stations shall be installed as per the specific requirements outlined in the UL/ULC codes, as well as all other applicable national or local codes.



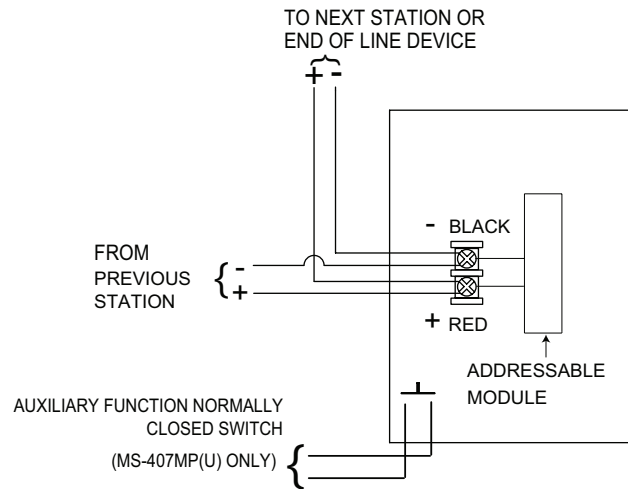
Specifications

Dimensions	4.525" H x 3.3" W x 0.762" D
Nominal Operating Voltage	15–30 VDC
Maximum Alarm Current	3.3 mA
Maximum Alarm Current	2 mA

Mounting Diagram



Wiring Diagram



Ordering Information

Model	Description
MS-401MP	Intelligent Single Stage Manual Station - ULC
MS-402MP	Intelligent Two Stage Manual Station - ULC
MS-407MP	Intelligent Single Stage Manual Station with additional N.C. switch - ULC
MS-401MPU	Intelligent Single Stage Manual Station - UL
MS-407MPU	Intelligent Single Stage Manual Station with additional N.C. switch - UL
MIX-4090	Addressable Device Programming Tool
GL-004K	Optional Plastic Rod/ Break glass



Canada
25 Interchange Way
Vaughan, Ontario L4K 5W3
Telephone: (905) 660-4655
Fax: (905) 660-4113

U.S.A.
4575 Witmer Industrial Estates
Niagara Falls, NY 14305
Toll Free: (888) 660-4655
Fax Toll Free: (888) 660-4113



THIS INFORMATION IS FOR MARKETING PURPOSES ONLY AND NOT INTENDED TO DESCRIBE THE PRODUCTS TECHNICALLY.

For complete and accurate technical information relating to performance, installation, testing and certification, refer to technical literature. This document contains intellectual property of Mircom. The information is subject to change by Mircom without notice. Mircom does not represent or warrant correctness or completeness.